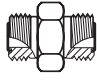
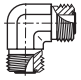
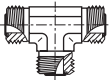
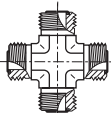
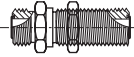
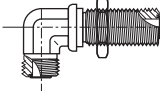
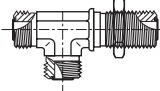
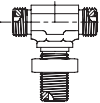
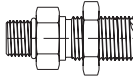
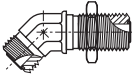

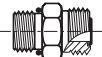
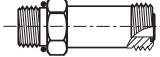
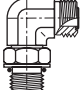
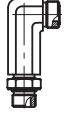

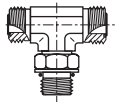
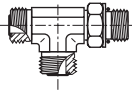
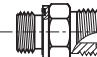
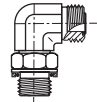
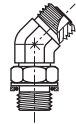
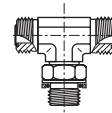
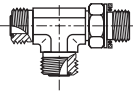
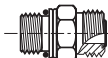
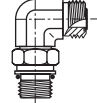
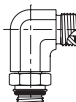

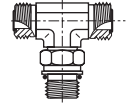
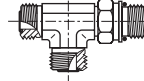
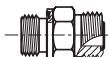
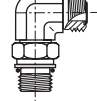
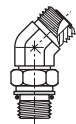
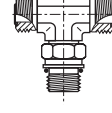
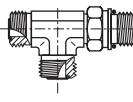
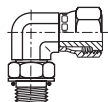
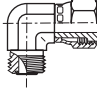
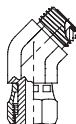
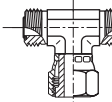
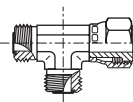




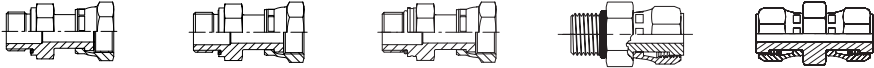
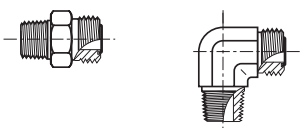
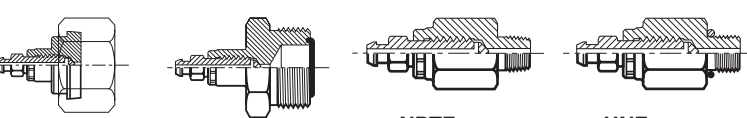
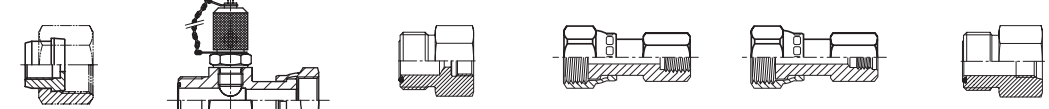
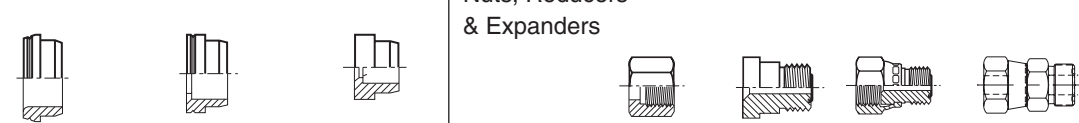
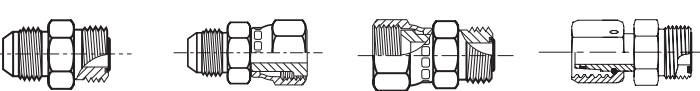

**O-Lok<sup>®</sup>**  
*O-Ring face seal tube fittings*



## Visual index

Tube-Tube unions							
	<b>HMLO</b> p. J9	<b>EMLO</b> p. J10	<b>JMLO</b> p. J11	<b>KLO</b> p. J12			
Bulkhead unions							
	<b>WMLO</b> p. J13	<b>WEMLO</b> p. J14	<b>WJJLO</b> p. J17	<b>WJLO</b> p. J16	<b>WF5OLO</b> p. J29	<b>WNLO</b> p. J15	<b>WLNML</b> p. J72
Tube to UNF thread							
	<b>F5OMLO</b> p. J27	<b>FF5OMLO</b> p. J28	<b>C5OMLO</b> p. J39	<b>CC5OLO</b> p. J40	<b>V5OMLO</b> p. J45	<b>S5OMLO</b> p. J49	<b>R5OMLO</b> p. J53
Tube to BSPP thread							
	<b>F42EDMLO</b> p. J30	<b>C4OMLO</b> p. J41	<b>V4OMLO</b> p. J46	<b>S4OMLO</b> p. J50	<b>R4OMLO</b> p. J54		
Tube to metric ISO 6149-2 thread							
	<b>F87OMLO</b> p. J26	<b>C87OMLO</b> p. J37	<b>CC87OMLO</b> p. J38	<b>V87OMLO</b> p. J44	<b>S87OMLO</b> p. J48	<b>R87OMLO</b> p. J52	
Tube to metric thread							
	<b>F82EDMLO</b> p. J31	<b>C8OMLO</b> p. J42	<b>V8OMLO</b> p. J47	<b>S8OMLO</b> p. J51	<b>R8OMLO</b> p. J55		
Swivel fittings							
	<b>AOEL6</b> p. J18	<b>C6MLO</b> p. J19	<b>V6LO</b> p. J20	<b>S6MLO</b> p. J21	<b>R6MLO</b> p. J22		

## Visual index

Swivel nut to straight thread	 <p><b>BSPP F642EDML</b> p. J35</p> <p><b>Metric F682EDML</b> p. J36</p> <p><b>ISO Metric F687OML</b> p. J33</p> <p><b>UNF F65OL</b> p. J34</p> <p><b>HL6</b> p. J25</p>
Tube to NPTF thread	 <p><b>FLO</b> p. J32</p> <p><b>CLO</b> p. J43</p> <p>Taper threads should not be used for new projects or designs. Parker Hannifin recommends elastomerically sealed components.</p>
Bleed adapters	 <p><b>FNLBA</b> p. J69</p> <p><b>PNLOBA</b> p. J70</p> <p><b>NPTF HPBA</b> p. J71</p> <p><b>UNF P5ONBA</b> p. J71</p>
Test point and gauge adapters	 <p><b>TTP4ML</b> p. J60</p> <p><b>R6P4MLO</b> p. J61</p> <p><b>G4MLOSOMO</b> p. J57</p> <p><b>TT4ML</b> p. J58</p> <p><b>TT8ML</b> p. J59</p> <p><b>G87MLO</b> p. J56</p>
Sleeves for metric and inch tube	 <p><b>TPL</b> p. J6</p> <p><b>TL</b> p. J7</p> <p><b>TL Reducing Braze Sleeve</b> p. J8</p> <p><b>BML/BL</b> p. J5</p> <p><b>TRMLO</b> p. J23</p> <p><b>LOHL6</b> p. J24</p> <p>Nuts, Reducers &amp; Expanders</p>
Conversion adapters	 <p><b>XHML0</b> p. J65</p> <p><b>XHML6</b> p. J66</p> <p><b>LOHMX6</b> p. J67</p> <p><b>LOHU86</b> p. J68</p>
Accessories	 <p><b>LOHB3</b> p. J62</p> <p><b>FNML</b> p. J63</p> <p><b>PNMLO</b> p. J64</p> <p><b>O-ring</b> p. J73–74</p> <p><b>SBR Braze ring</b> p. J75</p> <p><b>TW3L</b> p. J72</p> <p><b>LHP</b> p. J76</p> <p><b>PLS</b> p. J76</p> <p>Flange Seal Components</p>

J

## How to order O-Lok® fittings

Example Order code **6-8 C 5 O M L O S**

1    2    3    4    5    6    7    8

### 1 Order codes for tube and port thread ends

Dash Size	Tube Size (Inch)	Tube Size (mm)	Port Thread Size (Inch) BSPP/BSPT/NPT	Port Thread Size UN / UNF
4	1/4	6	1/4	7/16-20
5				1/2-20
6	3/8	8,10	3/8	9/16-18
8	1/2	12	1/2	3/4-16
10	5/8	14,15,16	5/8	7/8-14
12	3/4	18,20	3/4	1 1/6-12
14				1 3/6-12
16	1	25	1	1 5/6-12
20	1 1/4	28,30,32	1 1/4	1 5/8-12
24	1 1/2	35,38	1 1/2	1 7/8-12
32	2	50	2	2 1/2-12

Metric port threads are shown as per example 4M12C87OMLOS

### 2 Codes for fitting styles/shapes

Code	Description
AE6	Straight Thread Swivel
B	Nut
C	Male Stud elbow
CC	Extended Male Stud elbow
C6	Swivel Nut Elbow
E	Union elbow
F	Male Stud connector
FF	Extended Male Stud connector
F6	Male Stud Swivel
FN	Cap
FNLBAS	Bleed Adapter Cap
G	Female Connector
H	Straight union
H6	Swivel/Swivel Adapter
J	Union Tee
K	Union Cross
LOHB3	Braze Adapter
LOHX6	Triple-Lok® Swivel/O-Lok® adaptor
M	Female Run Tee
O	Female Branch Tee
PN	Plug
PNLOBA	Bleed Adapter Plug
R	Male Stud Run Tee
R6	Swivel Run Tee
S	Male Stud Branch Tee
S6	Swivel Branch Tee
SBR	Braze Ring
TPL	Parflange® sleeve
TL	Brazed sleeve
TR	Tube End Reducer
TT	Test Point Adapter
TW3	Weld Nipple
V	45° male stud elbow
V6	Swivel Nut 45° Elbow
W	Bulkhead Union
WE	Bulkhead Union Elbow
WJJ	Bulkhead Run Tee
WJT	Bulkhead Branch Tee
WLNML	Bulkhead Locknut
WN	Bulkhead 45° union elbow
XHL6	Triple Lok®/Swivel O-Lok® adaptor
XHLO	Triple Lok®/O-Lok® male adaptor

### 3 Threads and sealing methods

Code	Description
None	NPT/NPTF Thread
3	BSPT Thread
4	BSPP Thread O-Ring & Retainer Ring
42	BSPP Thread EOLASTIC seal 'ED'
5	UN/UNF Thread (O-Ring Seal)
8	Metric Thread O-Ring & Retainer Ring
82	Metric Thread EOLASTIC seal 'ED'
87	Metric ISO 6149 Thread (O-Ring Seal)
63	Swivel Connector BSPT end
64	Swivel Connector BSPP end (O-Ring & Retainer Ring)
642	Swivel Connector BSPP end (EOLASTIC Seal 'ED')
65	Swivel Connector UN/UNF end (O-Ring seal)
68	Swivel Connector Metric end (O-Ring & Retainer Ring)
682	Swivel Connector Metric end (EOLASTIC Seal 'ED')
687	Swivel Connector Metric ISO 6149 end

### 4 Stud connector seal

Code	Description
O	O-Ring Seal (Assembled on fitting)
ED	Captive EOLASTIC Seal (Assembled on fitting)
No Code	No Seal (O-Ring not assembled on fitting)

### 5 Hexagon/ Across flats style

Code	Description
M	Metric Hexagon Dimension
No Code	Inch Hexagon Dimension

### 6 Fitting type

Code	Description
L	Parker O-Lok®

### 7 Tube connection seal ORFS

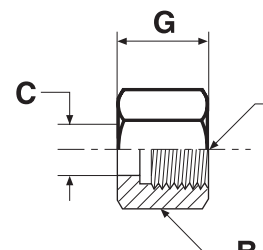
Code	Description
O	O-Ring Seal (Assembled on Fitting)
No Code	No Seal/O-Ring

### 8 Fitting material

Code	Description
S	Steel
SS	Stainless Steel
B	Brass

## BML Nut

O-Lok® ORFS tube nut  
SAE 52M0110 ISO 8434-3 NA



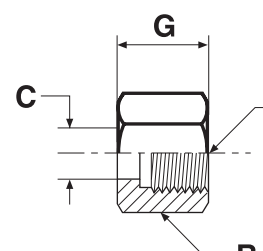
Tube O.D.		Thread UN/UNF-2B T	B mm	C mm	G mm	Weight (steel) g/1 piece	O-Lok® Steel	O-Lok® Stainless Steel
mm	in.							
6	1/4	9/16-18	17	11	15	14	<b>4BMLS</b>	<b>4BMLSS</b>
8, 10	5/16, 3/8	11/16-16	22	14	17	17	<b>6BMLS</b>	<b>6BMLSS</b>
12	1/2	13/16-16	24	17	20	29	<b>8BMLS</b>	<b>8BMLSS</b>
14, 15, 16	5/8	1-14	30	21	24	46	<b>10BMLS</b>	<b>10BMLSS</b>
18, 20	3/4	1 3/16-12	36	24	27	69	<b>12BMLS</b>	<b>12BMLSS</b>
22, 25	1	1 7/16-12	41	29	28	109	<b>16BMLS</b>	<b>16BMLSS</b>
28, 30, 32	1 1/4	1 11/16-12	50	36	28	126	<b>20BMLS</b>	<b>20BMLSS</b>
35, 38	1 1/2	2-12	60	44	28	195	<b>24BMLS</b>	<b>24BMLSS</b>
50	2	2 1/2-12	75	56	33	800	<b>32BMLS</b>	<b>32BMLSS</b>

Part numbers shown are part of our current manufacturing programme.



## BL Nut

O-Lok® ORFS tube nut  
SAE 520110

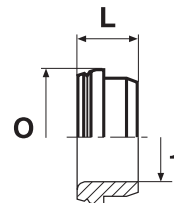


Tube O.D.		Thread UN/UNF-2B T	B in.	C mm	G mm	Weight (steel) g/1 piece	O-Lok® Steel	O-Lok® Stainless Steel
mm	in.							
6	1/4	9/16-18	11/16	10	15	16	<b>4 BL-S</b>	<b>4 BL-SS</b>
8, 10	5/16, 3/8	11/16-16	13/16	14	17	24	<b>6 BL-S</b>	<b>6 BL-SS</b>
12	1/2	13/16-16	15/16	17	21	37	<b>8 BL-S</b>	<b>8 BL-SS</b>
14, 15, 16	5/8	1-14	1 1/8	21	24	52	<b>10 BL-S</b>	<b>10 BL-SS</b>
18, 20	3/4	1 3/16-12	1 3/8	24	26	89	<b>12 BL-S</b>	<b>12 BL-SS</b>
22, 25	1	1 7/16-12	1 5/8	29	28	119	<b>16 BL-S</b>	<b>16 BL-SS</b>
28, 30, 32	1 1/4	1 11/16-12	1 7/8	36	28	132	<b>20 BL-S</b>	<b>20 BL-SS</b>
35, 38	1 1/2	2-12	2 1/4	44	28	220	<b>24 BL-S</b>	<b>24 BL-SS</b>
50	2	2 1/2-12	2 7/8	56	33	700	<b>32 BL-S</b>	<b>32 BL-SS</b>

Part numbers shown are part of our current manufacturing programme.

## TPL Sleeve metric tubing

O-Lok® ORFS Parflange® tube sleeve

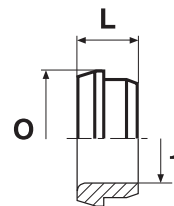


Tube O.D. 1 mm	L mm	O mm	Weight (steel) g/1 piece	O-Lok® Steel	O-Lok® Stainless Steel
6	7.5	13	4	<b>TPLS6</b>	<b>TPLSS6</b>
8	8.5	16	4	<b>TPLS8</b>	<b>TPLSS8</b>
10	8.5	16	5	<b>TPLS10</b>	<b>TPLSS10</b>
10	10.5	19	6	<b>TPLS12-10</b>	<b>TPLSS12-10</b>
12	10.5	19	6	<b>TPLS12</b>	<b>TPLSS12</b>
14	10.5	23	10	<b>TPLS14</b>	<b>TPLSS14</b>
15	10.5	23	9	<b>TPLS15</b>	<b>TPLSS15</b>
16	10.5	23	8	<b>TPLS16</b>	<b>TPLSS16</b>
18	12.0	28	14	<b>TPLS18</b>	<b>TPLSS18</b>
20	12.0	28	15	<b>TPLS20</b>	<b>TPLSS20</b>
22	13.5	34	20	<b>TPLS22</b>	<b>TPLSS22</b>
25	13.5	34	23	<b>TPLS25</b>	<b>TPLSS25</b>
28	13.0	41	24	<b>TPLS28</b>	<b>TPLSS28</b>
30	13.0	41	25	<b>TPLS30</b>	<b>TPLSS30</b>
32	13.0	41	26	<b>TPLS32</b>	<b>TPLSS32</b>
35	12.5	48	36	<b>TPLS35</b>	<b>TPLSS35</b>
38	12.5	48	44	<b>TPLS38</b>	<b>TPLSS38</b>
50	14.0	61	180	<b>TPLS50</b>	<b>TPLSS50</b>

Part numbers shown are part of our current manufacturing programme.

## TPL Sleeve inch tubing

O-Lok® ORFS Parflange® tube sleeve

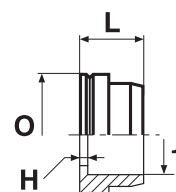


Tube O.D. 1 in.	L mm	O mm	Weight (steel) g/1 piece	O-Lok® Steel	O-Lok® Stainless Steel
1/4	8	13	4	<b>4 TPL-S</b>	<b>4 TPL-SS</b>
3/8	9	16	5	<b>6 TPL-S</b>	<b>6 TPL-SS</b>
1/2	11	19	6	<b>8 TPL-S</b>	<b>8 TPL-SS</b>
5/8	11	23	11	<b>10 TPL-S</b>	<b>10 TPL-SS</b>
3/4	12	28	19	<b>12 TPL-S</b>	<b>12 TPL-SS</b>
7/8	14	34	19	<b>14 TPL-S</b>	<b>14 TPL-SS</b>
1	14	34	22	<b>16 TPL-S</b>	<b>16 TPL-SS</b>
1 1/4	13	41	28	<b>20 TPL-S</b>	<b>20 TPL-SS</b>
1 1/2	13	48	44	<b>24 TPL-S</b>	<b>24 TPL-SS</b>
2	14	61	180	<b>32 TPL-S</b>	<b>32 TPL-SS</b>

Part numbers shown are part of our current manufacturing programme.

## TL\* Braze sleeve metric tubing

O-Lok® ORFS silver braze tube sleeve  
SAE 52M0115 ISO 8434-3 BRSL  
(\*Parts delivered oil dipped finish only – steel)

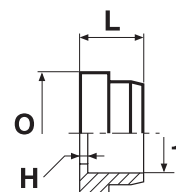


ORFS dash size	Tube O.D. 1 mm	H mm	L mm	O mm	Weight (steel) g/1 piece	O-Lok® Steel	O-Lok® Stainless Steel
4	6	1	10	13	5	<b>TLS6</b>	<b>TLSS6</b>
4	8	1	10	13	5	<b>TLS6-8</b>	<b>TLSS6-8</b>
6	8	2	10	16	7	<b>TLS10-8</b>	<b>TLSS10-8</b>
6	10	1	10	16	7	<b>TLS10</b>	<b>TLSS10</b>
8	12	1	10	19	10	<b>TLS12</b>	<b>TLSS12</b>
10	15	2	11	23	16	<b>TLS16-15</b>	<b>TLSS16-15</b>
10	16	2	11	23	16	<b>TLS16</b>	<b>TLSS16</b>
12	18	2	14	28	26	<b>TLS20-18</b>	<b>TLSS20-18</b>
12	20	2	14	28	21	<b>TLS20</b>	<b>TLSS20</b>
16	22	2	16	34	33	<b>TLS25-22</b>	<b>TLSS25-22</b>
16	25	2	16	34	30	<b>TLS25</b>	<b>TLSS25</b>
20	28	2	16	41	41	<b>TLS32-28</b>	<b>TLSS32-28</b>
20	30	2	16	41	42	<b>TLS32-30</b>	<b>TLSS32-30</b>
20	32	2	16	41	40	<b>TLS32</b>	<b>TLSS32</b>
24	35	2	16	49	48	<b>TLS38-35</b>	<b>TLSS38-35</b>
24	38	2	16	49	63	<b>TLS38</b>	<b>TLSS38</b>
32	50	2	16	60	210	<b>TLS50</b>	<b>TLSS50</b>

Part numbers shown are part of our current manufacturing programme.

## TL\* Braze sleeve inch tubing

O-Lok® ORFS silver braze tube sleeve  
SAE 520115  
(\*Parts delivered oil dipped finish only – steel)



Tube O.D. 1 in.	H mm	L mm	O mm	Weight (steel) g/1 piece	O-Lok® Steel	O-Lok® Stainless Steel
1/4	1	10	13	5	<b>4 TL-S</b>	<b>4 TL-SS</b>
3/8	1	10	16	6	<b>6 TL-S</b>	<b>6 TL-SS</b>
1/2	1	10	19	10	<b>8 TL-S</b>	<b>8 TL-SS</b>
5/8	2	11	23	18	<b>10 TL-S</b>	<b>10 TL-SS</b>
3/4	2	14	28	26	<b>12 TL-S</b>	<b>12 TL-SS</b>
1	2	16	34	33	<b>16 TL-S</b>	<b>16 TL-SS</b>
1 1/4	2	16	41	42	<b>20 TL-S</b>	<b>20 TL-SS</b>
1 1/2	2	16	49	63	<b>24 TL-S</b>	<b>24 TL-SS</b>
2	2	17	61	210	<b>32 TL-S</b>	<b>32 TL-SS</b>

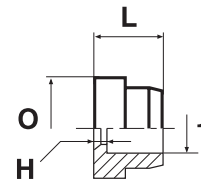
Part numbers shown are part of our current manufacturing programme.

## TL\* Reducing braze sleeve inch tubing

O-Lok® ORFS silver braze tube sleeve

SAE 520115

(\*Parts delivered oil dipped finish only – steel)



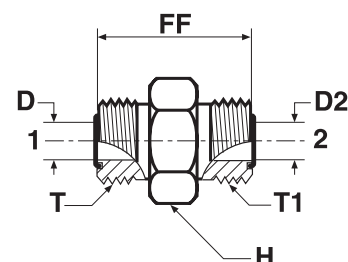
ORFS dash size	Tube O.D. 1 in.	H mm	L mm	O mm	Weight (Steel) g/1 piece	O-Lok® Steel	O-Lok® Stainless Steel
6	1/4	2	10	16	10	<b>6-4 TL-S</b>	<b>6-4 TL-SS</b>
8	1/4	4	12	19	17	<b>8-4 TL-S</b>	<b>8-4 TL-SS</b>
8	3/8	4	12	19	17	<b>8-6 TL-S</b>	<b>8-6 TL-SS</b>
10	1/4	5	14	23	37	<b>10-4 TL-S</b>	<b>10-4 TL-SS</b>
10	3/8	5	14	23	32	<b>10-6 TL-S</b>	<b>10-6 TL-SS</b>
10	1/2	5	14	23	28	<b>10-8 TL-S</b>	<b>10-8 TL-SS</b>
12	1/4	6	15	28	54	<b>12-4 TL-S</b>	<b>12-4 TL-SS</b>
12	3/8	6	15	28	49	<b>12-6 TL-S</b>	<b>12-6 TL-SS</b>
12	1/2	6	15	28	44	<b>12-8 TL-S</b>	<b>12-8 TL-SS</b>
12	5/8	6	15	28	39	<b>12-10 TL-S</b>	<b>12-10 TL-SS</b>
12	7/8	2	17	28	25	<b>12-14 TL-S</b>	<b>12-14 TL-SS</b>
16	1/2	7	16	34	76	<b>16-8 TL-S</b>	<b>16-8 TL-SS</b>
16	5/8	7	16	34	71	<b>16-10 TL-S</b>	<b>16-10 TL-SS</b>
16	3/4	5	17	34	66	<b>16-12 TL-S</b>	<b>16-12 TL-SS</b>
16	7/8	3	17	34	50	<b>16-14 TL-S</b>	<b>16-14 TL-SS</b>
20	3/4	7	20	41	102	<b>20-12 TL-S</b>	<b>20-12 TL-SS</b>
20	1	7	21	41	79	<b>20-16 TL-S</b>	<b>20-16 TL-SS</b>
24	1	7	21	49	141	<b>24-16 TL-S</b>	<b>24-16 TL-SS</b>
24	1 1/4	7	21	49	107	<b>24-20 TL-S</b>	<b>24-20 TL-SS</b>

Part numbers shown are part of our current manufacturing programme.



## HMLO Union

O-Lok® ORFS tube ends  
SAE 520101



Tube 1 O.D.		Tube 2 O.D.		Thread UN/UNF-2A T	Thread UN/UNF-2A T1	D	D2	FF	H	Weight (steel) g/1 piece	O-Lok® Steel	O-Lok® Stainless Steel	PN (bar)	
mm	in.	mm	in.			mm	mm	mm	mm				S	SS
6	1/4	6	1/4	9/16-18	9/16-18	5	5	27	17	26	<b>4 HLO-S</b>	<b>4HMLOSS</b>	630	630
8, 10	5/16, 3/8	8, 10	5/16, 3/8	11/16-16	11/16-16	7	7	31	19	49	<b>6HMLOS</b>	<b>6HMLOSS</b>	630	630
10	3/8	6	1/4	11/16-16	9/16-18	7	5	30	19	45	<b>6-4HMLOS</b>	<b>6-4HMLOSS</b>	630	630
12	1/2	12	1/2	13/16-16	13/16-16	10	10	35	22	77	<b>8HMLOS</b>	<b>8HMLOSS</b>	630	630
12	1/2	10	3/8	13/16-16	11/16-16	10	7	34	22	67	<b>8-6 HLO-S</b>	<b>8-6HMLOSS</b>	630	630
14, 15, 16	5/8	14, 15, 16	5/8	1-14	1-14	13	13	43	27	129	<b>10HMLOS</b>	<b>10HMLOSS</b>	420	420
16	5/8	12	1/2	1-14	13/16-16	13	10	40	27	112	<b>10-8 HLO-S</b>	<b>10-8HMLOSS</b>	420	420
18, 20	3/4	18, 20	3/4	1 3/16-12	1 3/16-12	16	16	47	32	204	<b>12HMLOS</b>	<b>12HMLOSS</b>	420	420
20	3/4	16	5/8	1 3/16-12	1-14	16	13	46	32	186	<b>12-10HMLOS</b>	<b>12-10HMLOSS</b>	420	420
22, 25	1	22, 25	1	1 7/16-12	1 7/16-12	21	21	49	41	291	<b>16HMLOS</b>	<b>16HMLOSS</b>	420	420
25	1	18, 20	3/4	1 7/16-12	1 3/16-12	21	16	49	41	285	<b>16-12HMLOS</b>	<b>16-12HMLOSS</b>	420	420
28, 30, 32	1 1/4	28, 30, 32	1 1/4	1 11/16-12	1 11/16-12	26	26	51	46	299	<b>20 HLO-S</b>	<b>20HMLOSS</b>	420	280
28, 30, 32	1 1/4	22, 25	1	1 11/16-12	1 7/16-12	26	21	51	46	280	<b>20-16HMLOS</b>	<b>20-16HMLOSS</b>	420	280
35, 38	1 1/2	35, 38	1 1/2	2-12	2-12	32	32	53	55	552	<b>24 HLO-S</b>	<b>24HMLOSS</b>	350	280
35, 38	1 1/2	28, 30, 32	1 1/4	2-12	1 11/16-12	32	26	53	55	530	<b>24-20HMLOS</b>	<b>24-20HMLOSS</b>	350	280
50	2	50	2	2 1/2-12	2 1/2-12	45	45	73	70	990	<b>32 HLO-S</b>	<b>32HMLOSS</b>	200	200

Product delivered with NBR TRAP seal. Replacement of TRAP seal is with a standard NBR O-ring – see page J73.

Part numbers shown are part of our current manufacturing programme.

Imperial and metric parts may vary in hexagon dimensions.

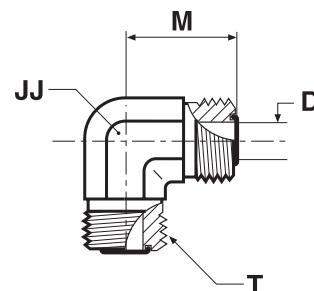
$$\frac{\text{PN (bar)}}{10} = \text{PN (MPa)}$$

Pressure ratings – PN shown, apply to Steel and Stainless Steel versions of the product.

J

## EMLO Union elbow

O-Lok® ORFS tube ends  
SAE 520201



Tube O.D.		Thread UN/UNF-2A T	D mm	JJ mm	M mm	Weight (steel) g/1 piece	O-Lok® Steel	O-Lok® Stainless Steel	PN (bar)	
mm	in.								S	SS
6	1/4	9/16-18	5	14	22	47	<b>4 ELO-S</b>	<b>4EMLOSS</b>	630	630
8, 10	5/16, 3/8	11/16-16	7	19	25	109	<b>6 ELO-S</b>	<b>6EMLOSS</b>	630	630
12	1/2	13/16-16	10	19	28	123	<b>8 ELO-S</b>	<b>8EMLOSS</b>	630	630
14, 15, 16	5/8	1-14	13	27	33	183	<b>10 ELO-S</b>	<b>10EMLOSS</b>	420	420
18, 20	3/4	1 3/16-12	16	30	37	255	<b>12 ELO-S</b>	<b>12EMLOSS</b>	420	420
22, 25	1	1 7/16-12	21	37	42	457	<b>16 ELO-S</b>	<b>16EMLOSS</b>	420	420
28, 30, 32	1 1/4	1 11/16-12	26	41	45	530	<b>20 ELO-S</b>	<b>20EMLOSS</b>	350	280
35, 38	1 1/2	2-12	32	48	49	687	<b>24 ELO-S</b>	<b>24EMLOSS</b>	280	280
50	2	2 1/2-12	45	64	70	1500	<b>32 ELO-S</b>		200	—

Product delivered with NBR TRAP seal. Replacement of TRAP seal is with a standard NBR O-ring – see page J73.

Part numbers shown are part of our current manufacturing programme.

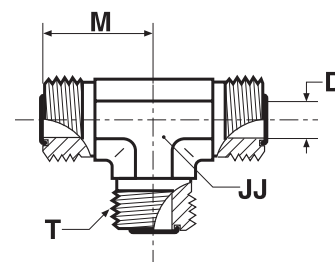
Imperial and metric parts may vary in hexagon dimensions.

$$\frac{\text{PN (bar)}}{10} = \text{PN (MPa)}$$

Pressure ratings – PN shown, apply to Steel and Stainless Steel versions of the product.

## JMLO Union tee

O-Lok® ORFS tube ends  
SAE 520401



Tube O.D.		Thread UN/UNF-2A T	D mm	JJ mm	M mm	Weight (steel) g/1 piece	O-Lok® Steel	O-Lok® Stainless Steel	PN (bar)	
mm	in.								S	SS
6	1/4	9/16-18	5	14	22	66	<b>4JMLOS</b>	<b>4JMLOSS</b>	630	630
8, 10	5/16, 3/8	11/16-16	7	19	25	114	<b>6 JLO-S</b>	<b>6JMLOSS</b>	630	630
12	1/2	13/16-16	10	19	28	199	<b>8JMLOS</b>	<b>8JMLOSS</b>	630	630
14, 15, 16	5/8	1-14	13	27	33	239	<b>10 JLO-S</b>	<b>10JMLOSS</b>	420	420
18, 20	3/4	1 3/16-12	16	30	37	321	<b>12 JLO-S</b>	<b>12JMLOSS</b>	420	420
22, 25	1	1 7/16-12	21	36	42	488	<b>16 JLO-S</b>	<b>16JMLOSS</b>	420	420
28, 30, 32	1 1/4	1 11/16-12	26	41	45	768	<b>20 JLO-S</b>	<b>20JMLOSS</b>	350	280
35, 38	1 1/2	2-12	32	48	49	866	<b>24 JLO-S</b>	<b>24JMLOSS</b>	280	280
50	2	2 1/2-12	45	64	70	2250	<b>32 JLO-S</b>	<b>32JMLOSS</b>	200	200

Product delivered with NBR TRAP seal. Replacement of TRAP seal is with a standard NBR O-ring – see page J73.

Part numbers shown are part of our current manufacturing programme.

Imperial and metric parts may vary in hexagon dimensions.

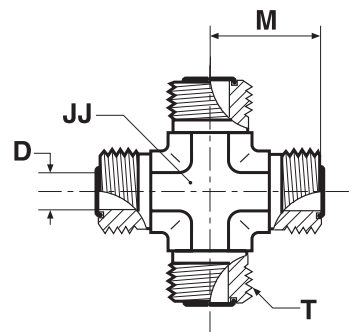
$$\frac{\text{PN (bar)}}{10} = \text{PN (MPa)}$$

Pressure ratings – PN shown, apply to Steel and Stainless Steel versions of the product.

J

## KLO Union cross

O-Lok® ORFS tube ends  
SAE 520501



Tube O.D.		Thread UN/UNF-2A T	D mm	JJ mm	M mm	Weight (steel) g/1 piece	O-Lok® Steel	O-Lok® Stainless Steel	PN (bar)	
mm	in.								S	SS
6	1/4	9/16-18	5	14	22	72	<b>4 KLO-S</b>	<b>4 KLO-SS</b>	630	630
8, 10	5/16, 3/8	11/16-16	7	19	25	140	<b>6 KLO-S</b>	<b>6 KLO-SS</b>	630	630
12	1/2	13/16-16	10	19	28	225	<b>8 KLO-S</b>	<b>8 KLO-SS</b>	630	630
14, 15, 16	5/8	1-14	13	27	33	288	<b>10 KLO-S</b>	<b>10 KLO-SS</b>	420	420
18, 20	3/4	1 3/16-12	16	30	37	415	<b>12 KLO-S</b>	<b>12 KLO-SS</b>	420	420
22, 25	1	1 7/16-12	21	37	42	967	<b>16 KLO-S</b>	<b>16 KLO-SS</b>	420	420
28, 30, 32	1 1/4	1 11/16-12	26	41	45	1247	<b>20 KLO-S</b>	<b>20 KLO-SS</b>	350	280
35, 38	1 1/2	2-12	32	48	49	1592	<b>24 KLO-S</b>	<b>24 KLO-SS</b>	280	280

Product delivered with NBR TRAP seal. Replacement of TRAP seal is with a standard NBR O-ring – see page J73.

Part numbers shown are part of our current manufacturing programme.

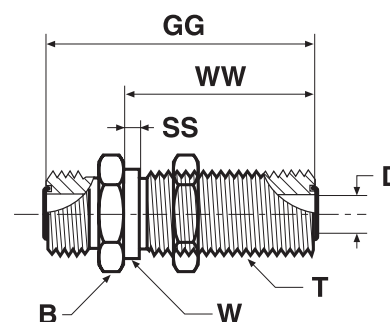
Imperial and metric parts may vary in hexagon dimensions.

$$\frac{\text{PN (bar)}}{10} = \text{PN (MPa)}$$

Pressure ratings – PN shown, apply to Steel and Stainless Steel versions of the product.

## WMLO Bulkhead union

O-Lok® ORFS tube ends  
SAE 520601 ISO 8434-3 BHS



Tube O.D.		Thread UN/UNF-2A T	B mm	D mm	GG mm	SS mm	W mm	WW mm	Weight (steel) g/1 piece	O-Lok® Steel	O-Lok® Stainless Steel	PN (bar)	
mm	in.											S	SS
6	1/4	9/16-18	22	5	48	2	14	32	65	<b>4 WLO-WLNL-S</b>	<b>4WMLOWLNMLSS</b>	630	630
8, 10	5/16, 3/8	11/16-16	27	7	53	2	17	34	104	<b>6WMLOWLNMLS</b>	<b>6WMLOWLNMLSS</b>	630	630
12	1/2	13/16-16	30	10	58	3	20	37	141	<b>8WMLOWLNMLS</b>	<b>8WMLOWLNMLSS</b>	630	630
14, 15, 16	5/8	1-14	32	13	67	3	25	41	285	<b>10WMLOWLNMLS</b>	<b>10WMLOWLNMLSS</b>	420	420
18, 20	3/4	1 3/16-12	41	16	69	3	30	42	322	<b>12WMLOWLNMLS</b>	<b>12WMLOWLNMLSS</b>	420	420
22, 25	1	1 7/16-12	46	21	70	3	36	42	436	<b>16WMLOWLNMLS</b>	<b>16WMLOWLNMLSS</b>	420	420
28, 30, 32	1 1/4	1 11/16-12	51	26	70	2	43	42	510	<b>20 WLO-WLNL-S</b>	<b>20WMLOWLNMLSS</b>	420	280
35, 38	1 1/2	2-12	60	32	70	2	51	42	674	<b>24 WLO-WLNL-S</b>	<b>24WMLOWLNMLSS</b>	350	280

Product delivered with NBR TRAP seal. Replacement of TRAP seal is with a standard NBR O-ring – see page J73.

Part numbers shown are part of our current manufacturing programme.

Imperial and metric parts may vary in hexagon dimensions.

For the version without the locknut remove "WLNL" (e.g. 16WMLO)

$$\frac{\text{PN (bar)}}{10} = \text{PN (MPa)}$$

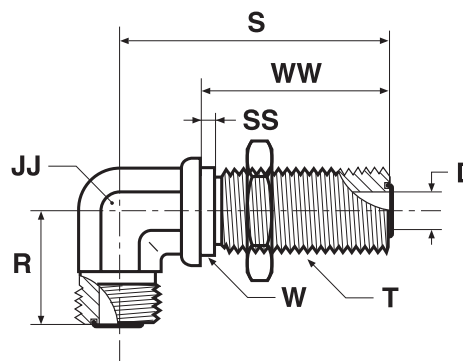
Pressure ratings – PN shown, apply to Steel and Stainless Steel versions of the product.

### Maximum bulkhead wallthickness

Size	Tube O.D.		Straight bulkhead union Max. thickness mm	Shape bulkhead union Max. thickness mm
	inch	metric		
4	1/4	6	13.5	13.5
6	3/8	10	13.5	13.5
8	1/2	12	13.5	13.5
10	5/8	14–16	13.2	13.2
12	3/4	18–20	12.7	12.7
16	1	22–25	13.0	13.0
20	1 1/4	28–32	13.0	13.0
24	1 1/2	35–38	13.0	13.0

## WEMLO Bulkhead union elbow

O-Lok® ORFS tube end/O-Lok® ORFS tube end  
SAE520701/SAE 520701 ISO 8434-3 BHE



Tube O.D.		Thread UN/UNF-2A T	D mm	JJ mm	R mm	S mm	SS mm	W mm	WW mm	Weight (steel) g/1 piece	O-Lok®		PN (bar)	
mm	in.										Steel	Stainless Steel	S	SS
6	1/4	9/16-18	5	14	23	46	2	14	32	78	<b>4 WELO-WLNL-S</b>	<b>4 WELO-WLNL-SS</b>	630	630
8, 10	5/16, 3/8	11/16-16	7	19	26	52	2	17	34	146	<b>6WEMLOWLNMLS</b>	<b>6 WELO-WLNL-SS</b>	630	630
12	1/2	13/16-16	10	19	29	56	3	20	37	252	<b>8WEMLOWLNMLS</b>	<b>8 WELO-WLNL-SS</b>	630	630
14, 15, 16	5/8	1-14	13	27	35	63	3	25	41	287	<b>10WEMLOWLNMLS</b>	<b>10 WELO-WLNL-SS</b>	420	420
18, 20	3/4	1 3/16-12	16	30	39	67	3	30	42	445	<b>12 WELO-WLNL-S</b>	<b>12 WELO-WLNL-SS</b>	420	420
22, 25	1	1 7/16-12	21	37	42	71	2	37	42	639	<b>16 WELO-WLNL-S</b>	<b>16 WELO-WLNL-SS</b>	420	420
28, 30, 32	1 1/4	1 11/16-12	26	41	45	75	2	43	42	718	<b>20 WELO-WLNL-S</b>	<b>20 WELO-WLNL-SS</b>	350	280
35, 38	1 1/2	2-12	32	48	50	80	2	51	42	945	<b>24 WELO-WLNL-S</b>	<b>24 WELO-WLNL-SS</b>	280	280

Product delivered with NBR TRAP seal. Replacement of TRAP seal is with a standard NBR O-ring – see page J73.

Part numbers shown are part of our current manufacturing programme.

Imperial and metric parts may vary in hexagon dimensions.

For the version without the locknut remove "WLNML" (e.g. 16WEMLO)

$$\frac{\text{PN (bar)}}{10} = \text{PN (MPa)}$$

Pressure ratings – PN shown, apply to Steel and Stainless Steel versions of the product.

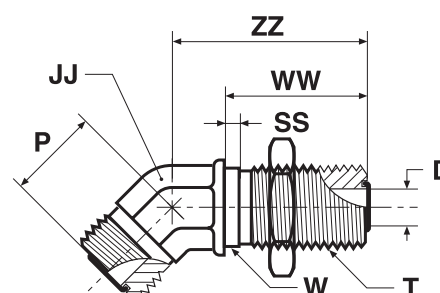
### Maximum bulkhead wallthickness

Size	Tube O.D.		Straight bulkhead union Max. thickness mm	Shape bulkhead union Max. thickness mm
	inch	metric		
4	1/4	6	13.5	13.5
6	3/8	10	13.5	13.5
8	1/2	12	13.5	13.5
10	5/8	14–16	13.2	13.2
12	3/4	18–20	12.7	12.7
16	1	22–25	13.0	13.0
20	1 1/4	28–32	13.0	13.0
24	1 1/2	35–38	13.0	13.0

## WNLO Bulkhead union 45° elbow

O-Lok® ORFS tube ends

SAE 520801 ISO 8434-3 BHE 45



Tube O.D.		Thread UN/UNF-2A T	D mm	JJ mm	P mm	SS mm	W mm	WW mm	ZZ mm	Weight (steel) g/1 piece	O-Lok® Steel	PN (bar)
mm	in.											
6	1/4	9/16-18	5	14	16	2	14	32	44	65	<b>4 WNLO-WLNL-S</b>	630
8, 10	5/16, 3/8	11/16-16	7	19	19	2	18	34	49	123	<b>6 WNLO-WLNL-S</b>	630
12	1/2	13/16-16	10	19	20	2	21	37	51	163	<b>8 WNLO-WLNL-S</b>	630
14, 15, 16	5/8	1-14	13	27	23	2	25	41	57	252	<b>10 WNLO-WLNL-S</b>	420
18, 20	3/4	1 3/16-12	16	30	26	2	30	42	61	386	<b>12 WNLO-WLNL-S</b>	420
22, 25	1	1 7/16-12	21	37	30	2	37	42	65	465	<b>16 WNLO-WLNL-S</b>	420
28, 30, 32	1 1/4	1 11/16-12	26	41	32	2	43	42	67	578	<b>20 WNLO-WLNL-S</b>	350
35, 38	1 1/2	2-12	32	48	37	2	51	42	67	770	<b>24 WNLO-WLNL-S</b>	280

Product delivered with NBR TRAP seal. Replacement of TRAP seal is with a standard NBR O-ring – see page J73.

Part numbers shown are part of our current manufacturing programme.

Imperial and metric parts may vary in hexagon dimensions.

For the version without the locknut remove "WLNL" (e.g. 16 WNLO)

$$\frac{\text{PN (bar)}}{10} = \text{PN (MPa)}$$

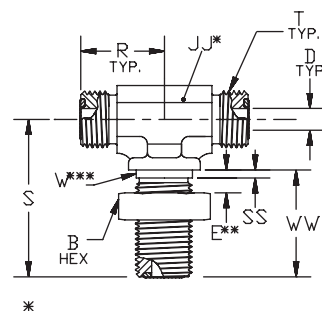


### Maximum bulkhead wallthickness

Size	Tube O.D.		Straight bulkhead union Max. thickness mm	Shape bulkhead union Max. thickness mm
	inch	metric		
4	1/4	6	13.5	13.5
6	3/8	10	13.5	13.5
8	1/2	12	13.5	13.5
10	5/8	14-16	13.2	13.2
12	3/4	18-20	12.7	12.7
16	1	22-25	13.0	13.0
20	1 1/4	28-32	13.0	13.0
24	1 1/2	35-38	13.0	13.0

## WJLO Bulkhead branch tee

O-Lok® ORFS tube ends



Tube O.D.		Thread UN/UNF-2A T	B mm	D mm	E mm	JJ mm	R mm	S mm	SS mm	W mm	WW mm	Weight (steel) g/1 piece	O-Lok® Steel	PN (bar)
mm	in.													
6	1/4	9/16-18	18	5	14	14	23	47	2	14	32	100	4 WJLO-WLNL-S	630
8, 10	5/16, 3/8	11/16-16	21	7	14	19	26	52	2	18	34	178	6 WJLO-WLNL-S	630
12	1/2	13/16-16	24	10	14	19	29	55	2	21	37	270	8 WJLO-WLNL-S	630
14, 15, 16	5/8	1-14	29	13	14	27	35	63	2	25	41	370	10 WJLO-WLNL-S	420
18, 20	3/4	1 3/16-12	35	16	14	30	39	67	2	30	42	520	12 WJLO-WLNL-S	420
22, 25	1	1 7/16-12	42	21	14	36	42	71	2	37	42	680	16 WJLO-WLNL-S	420

Product delivered with NBR TRAP seal. Replacement of TRAP seal is with a standard NBR O-ring – see page J73.

Part numbers shown are part of our current manufacturing programme.

Imperial and metric parts may vary in hexagon dimensions.

For the version without the locknut remove "WLNL" (e.g. 16 WJLO)

$$\frac{\text{PN (bar)}}{10} = \text{PN (MPa)}$$

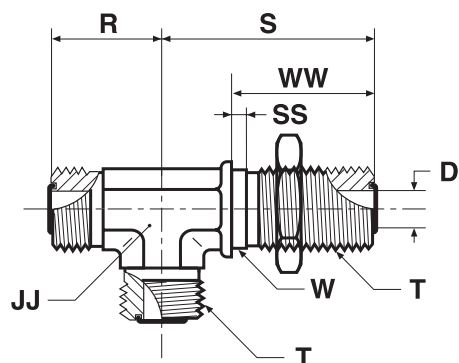
### Maximum bulkhead wallthickness

Size	Tube O.D.		Straight bulkhead union Max. thickness mm	Shape bulkhead union Max. thickness mm
	inch	metric		
4	1/4	6	13.5	13.5
6	3/8	10	13.5	13.5
8	1/2	12	13.5	13.5
10	5/8	14-16	13.2	13.2
12	3/4	18-20	12.7	12.7
16	1	22-25	13.0	13.0
20	1 1/4	28-32	13.0	13.0
24	1 1/2	35-38	13.0	13.0



## WJJLO Bulkhead run tee

O-Lok® ORFS tube ends  
SAE 520958 ISO 8434-3 BHRT



Tube O.D.		Thread UN/UNF-2A T	D mm	JJ mm	R mm	S mm	SS mm	W mm	WW mm	Weight (steel) g/1 piece	O-Lok® Steel	PN (bar)
mm	in.											
6	1/4	9/16-18	5	14	23	46	2	14	32	99	4 WJJLO-WLNL-S	630
8, 10	5/16, 3/8	11/16-16	7	19	26	52	2	18	34	178	6 WJJLO-WLNL-S	630
12	1/2	13/16-16	10	19	29	55	2	21	36	270	8 WJJLO-WLNL-S	630
14, 15, 16	5/8	1-14	13	27	35	63	2	25	41	368	10 WJJLO-WLNL-S	420
18, 20	3/4	1 3/16-12	16	30	39	67	2	30	42	516	12 WJJLO-WLNL-S	420
22, 25	1	1 7/16-12	21	37	42	71	2	37	42	678	16 WJJLO-WLNL-S	420
28, 30, 32	1 1/4	1 11/16-12	26	41	45	75	2	43	42	980	20 WJJLO-WLNL-S	350
35, 38	1 1/2	2-12	32	48	50	80	2	51	42	1900	24 WJJLO-WLNL-S	280

Product delivered with NBR TRAP seal. Replacement of TRAP seal is with a standard NBR O-ring – see page J73.

Part numbers shown are part of our current manufacturing programme.

Imperial and metric parts may vary in hexagon dimensions.

For the version without the locknut remove "WLNL" (e.g. 16 WJJLO)

$$\frac{\text{PN (bar)}}{10} = \text{PN (MPa)}$$

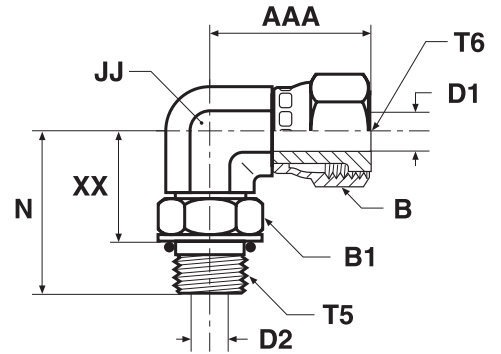
### Maximum bulkhead wallthickness

Size	Tube O.D.		Straight bulkhead union Max. thickness mm	Shape bulkhead union Max. thickness mm
	inch	metric		
4	1/4	6	13.5	13.5
6	3/8	10	13.5	13.5
8	1/2	12	13.5	13.5
10	5/8	14-16	13.2	13.2
12	3/4	18-20	12.7	12.7
16	1	22-25	13.0	13.0
20	1 1/4	28-32	13.0	13.0
24	1 1/2	35-38	13.0	13.0



## AOEL6 Swivel nut stud elbow

O-Lok® ORFS Female swivel end / Male UN/UNF thread – O-ring (ISO 11926)  
SAE 520281



Tube O.D.		Thread UN/UNF-2A T5	Thread UN/UNF-2B T6	AAA	B	B1	D1	D2	JJ	N	XX	Weight (steel)	O-Lok® Steel	O-Lok® Stainless Steel	PN (bar)	
mm	in.			mm	mm	mm	mm	mm	mm	mm	mm	g/1 piece			S	SS
6	1/4	7/16-20	9/16-18	27	18	14	4	4	14	33	22	47	<b>4 AOEL6-S</b>	<b>4 AOEL6-SS</b>	420	420
8, 10	5/16, 3/8	9/16-18	11/16-16	30	21	19	7	7	19	37	25	97	<b>6 AOEL6-S</b>	<b>6 AOEL6-SS</b>	420	420
12	1/2	3/4-16	13/16-16	38	24	24	9	10	19	41	27	104	<b>8 AOEL6-S</b>	<b>8 AOEL6-SS</b>	420	420
14, 15, 16	5/8	7/8-14	1-14	42	29	27	12	13	27	50	34	199	<b>10 AOEL6-S</b>	<b>10 AOEL6-SS</b>	420	420
18, 20	3/4	1 1/16-12	1 3/16-12	46	35	35	14	16	27	55	37	162	<b>12 AOEL6-S</b>	<b>12 AOEL6-SS</b>	420	420
22, 25	1	1 5/16-12	1 7/16-12	53	41	41	20	21	33	60	42	365	<b>16 AOEL6-S</b>	<b>16 AOEL6-SS</b>	380	380
28, 30, 32	1 1/4	1 5/8-12	1 11/16-12	58	48	48	26	26	41	62	44	480	<b>20 AOEL6-S</b>	<b>20 AOEL6-SS</b>	280	280
35, 38	1 1/2	1 7/8-12	2-12	61	57	54	32	32	48	66	47	933	<b>24 AOEL6-S</b>	<b>24 AOEL6-SS</b>	280	280

O-Lok® is delivered with NBR elastomeric seals as standard. For more details on other seal materials see page J73–J74.

Part numbers shown are part of our current manufacturing programme.

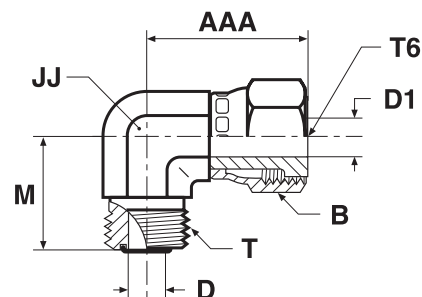
Imperial and metric parts may vary in hexagon dimensions.

$$\frac{\text{PN (bar)}}{10} = \text{PN (MPa)}$$

Pressure ratings – PN shown, apply to Steel and Stainless Steel versions of the product.

## C6MLO Swivel nut elbow

O-Lok® ORFS Female swivel end / O-Lok® ORFS tube end  
SAE 52M0221 ISO 8434-3 SWE



Tube O.D.		Thread UN/UNF-2A T	Thread UN/UNF-2B T6	AAA mm	B mm	D mm	D1 mm	JJ mm	M mm	Weight (steel) g/1 piece	O-Lok® Steel	O-Lok® Stainless Steel	PN (bar)	
mm	in.												S	SS
6	1/4	9/16-18	9/16-18	26	17	5	4	14	22	45	<b>4C6MLOS</b>	<b>4C6MLOSS</b>	500	420
8, 10	5/16, 3/8	11/16-16	11/16-16	29	22	7	9	19	25	84	<b>6C6MLOS</b>	<b>6C6MLOSS</b>	630	420
12	1/2	13/16-16	13/16-16	38	24	10	9	19	28	126	<b>8C6MLOS</b>	<b>8C6MLOSS</b>	630	420
14, 15, 16	5/8	1-14	1-14	41	30	13	12	27	33	221	<b>10C6MLOS</b>	<b>10C6MLOSS</b>	420	420
18, 20	3/4	1 3/16-12	1 3/16-12	46	36	16	14	30	37	284	<b>12C6MLOS</b>	<b>12C6MLOSS</b>	420	420
22, 25	1	1 7/16-12	1 7/16-12	53	41	21	20	36	42	541	<b>16C6MLOS</b>	<b>16C6MLOSS</b>	420	420
28, 30, 32	1 1/4	1 11/16-12	1 11/16-12	58	48	26	26	41	45	557	<b>20 C6LO-S</b>	<b>20C6MLOSS</b>	350	280
35, 38	1 1/2	2-12	2-12	61	57	32	32	48	49	706	<b>24 C6LO-S</b>	<b>24C6MLOSS</b>	280	280

Product delivered with NBR TRAP seal. Replacement of TRAP seal is with a standard NBR O-ring – see page J73.

Part numbers shown are part of our current manufacturing programme.

Imperial and metric parts may vary in hexagon dimensions.

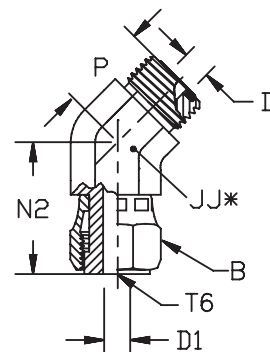
$$\frac{\text{PN (bar)}}{10} = \text{PN (MPa)}$$

Pressure ratings – PN shown, apply to Steel and Stainless Steel versions of the product.

J

## V6LO 45° Swivel nut elbow

O-Lok® ORFS female swivel end / O-Lok® ORFS tube end



\*JJ – Across wrench flats

Tube O.D.		Thread UN/UNF-2A T	Thread UN/UNF-2B T6	B mm	D mm	D1 mm	JJ mm	N2 mm	P mm	Weight (steel) g/1 piece	O-Lok® Steel	PN (bar)
6	1/4	9/16-18	9/16-18	18	5	4	14	25	16	44	<b>4 V6LO-S</b>	500
8, 10	5/16, 3/8	11/16-16	11/16-16	21	7	7	19	28	19	82	<b>6 V6LO-S</b>	630
12	1/2	13/16-16	13/16-16	24	10	9	19	38	20	110	<b>8 V6LO-S</b>	630
14, 15, 16	5/8	1-14	1-14	29	13	12	27	39	23	190	<b>10 V6LO-S</b>	420
18, 20	3/4	1 3/16-12	1 3/16-12	35	16	14	30	44	26	288	<b>12 V6LO-S</b>	420
22, 25	1	1 7/16-12	1 7/16-12	42	21	20	36	48	30	300	<b>16 V6LO-S</b>	420
28, 30, 32	1 1/4	1 11/16-12	1 11/16-12	48	26	26	41	50	32	444	<b>20 V6LO-S</b>	350
35, 38	1 1/2	2-12	2-12	58	32	32	48	52	37	568	<b>24 V6LO-S</b>	280

Product delivered with NBR TRAP seal. Replacement of TRAP seal is with a standard NBR O-ring – see page J73.

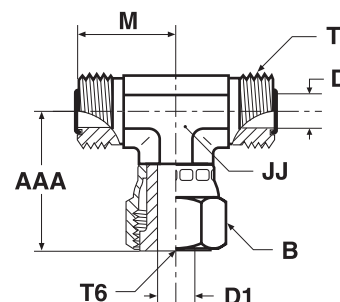
Part numbers shown are part of our current manufacturing programme.

Imperial and metric parts may vary in hexagon dimensions.

$$\frac{\text{PN (bar)}}{10} = \text{PN (MPa)}$$

## S6MLO Swivel nut branch tee

O-Lok® ORFS female swivel end / O-Lok® ORFS tube ends  
 SAE 52M0433 ISO 8434-3 SWBT



Tube O.D.		Thread UN/UNF-2A T	Thread UN/UNF-2B T6	AAA mm	B mm	D mm	D1 mm	JJ mm	M mm	Weight (steel) g/1 piece	O-Lok® Steel	O-Lok® Stainless Steel	PN (bar)	
mm	in.												S	SS
6	1/4	9/16-18	9/16-18	26	17	5	4	14	22	66	<b>4S6MLOS</b>	<b>4S6MLOSS</b>	500	420
8, 10	5/16, 3/8	11/16-16	11/16-16	29	22	7	7	19	25	125	<b>6S6MLOS</b>	<b>6S6MLOSS</b>	630	420
12	1/2	13/16-16	13/16-16	38	24	10	9	19	28	150	<b>8S6MLOS</b>	<b>8S6MLOSS</b>	630	420
14, 15, 16	5/8	1-14	1-14	41	30	13	12	27	33	233	<b>10S6MLOS</b>	<b>10S6MLOSS</b>	420	420
18, 20	3/4	1 3/16-12	1 3/16-12	46	35	16	14	30	37	383	<b>12 S6LO-S</b>	<b>12S6MLOSS</b>	420	420
22, 25	1	1 7/16-12	1 7/16-12	53	41	21	20	37	42	518	<b>16 S6LO-S</b>	<b>16S6MLOSS</b>	420	420
28, 30, 32	1 1/4	1 11/16-12	1 11/16-12	58	48	26	26	41	45	775	<b>20 S6LO-S</b>	<b>20S6MLOSS</b>	350	280
35, 38	1 1/2	2-12	2-12	61	57	32	32	48	49	933	<b>24 S6LO-S</b>	<b>24S6MLOSS</b>	280	280

Product delivered with NBR TRAP seal. Replacement of TRAP seal is with a standard NBR O-ring – see page J73.

Part numbers shown are part of our current manufacturing programme.

Imperial and metric parts may vary in hexagon dimensions.

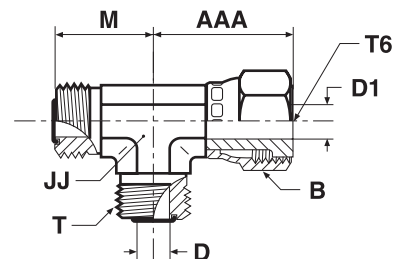
$$\frac{\text{PN (bar)}}{10} = \text{PN (MPa)}$$

Pressure ratings – PN shown, apply to Steel and Stainless Steel versions of the product.



## R6MLO Swivel nut run tee

O-Lok® ORFS female swivel end / O-Lok® ORFS tube ends  
 SAE 52M0432 ISO 8434-3 SWRT



Tube O.D.		Thread UN/UNF-2A T	Thread UN/UNF-2B T6	AAA mm	B mm	D mm	D1 mm	JJ mm	M mm	Weight (steel) g/1 piece	O-Lok® Steel	O-Lok® Stainless Steel	PN (bar)	
mm	in.												S	SS
6	1/4	9/16-18	9/16-18	26	17	5	4	14	22	66	<b>4R6MLOS</b>	<b>4R6MLOSS</b>	500	420
8, 10	5/16, 3/8	11/16-16	11/16-16	29	22	7	7	19	25	125	<b>6R6MLOS</b>	<b>6R6MLOSS</b>	630	420
12	1/2	13/16-16	13/16-16	38	24	10	9	19	28	150	<b>8R6MLOS</b>	<b>8R6MLOSS</b>	630	420
14, 15, 16	5/8	1-14	1-14	41	30	13	12	27	33	233	<b>10R6MLOS</b>	<b>10R6MLOSS</b>	420	420
18, 20	3/4	1 3/16-12	1 3/16-12	46	35	16	14	30	37	383	<b>12 R6LO-S</b>	<b>12R6MLOSS</b>	420	420
22, 25	1	1 7/16-12	1 7/16-12	53	41	21	20	37	42	518	<b>16 R6LO-S</b>	<b>16R6MLOSS</b>	420	420
28, 30, 32	1 1/4	1 11/16-12	1 11/16-12	58	48	26	26	41	45	775	<b>20 R6LO-S</b>	<b>20R6MLOSS</b>	350	280
35, 38	1 1/2	2-12	2-12	61	57	32	32	48	49	933	<b>24 R6LO-S</b>	<b>24R6MLOSS</b>	280	280

Product delivered with NBR TRAP seal. Replacement of TRAP seal is with a standard NBR O-ring – see page J73.

Part numbers shown are part of our current manufacturing programme.

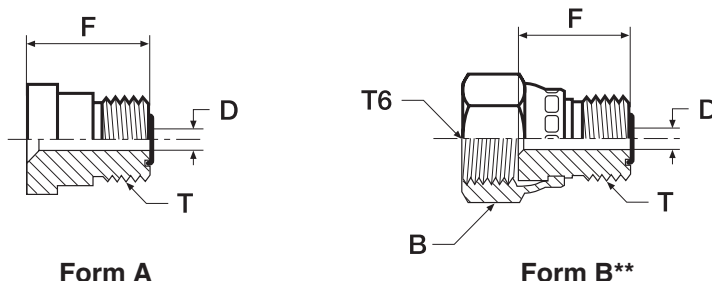
Imperial and metric parts may vary in hexagon dimensions.

$$\frac{\text{PN (bar)}}{10} = \text{PN (MPa)}$$

Pressure ratings – PN shown, apply to Steel and Stainless Steel versions of the product.

## TRMLO Tube end reducer

O-Lok® ORFS tube end / O-Lok® ORFS swivel female end  
SAE 520123 /A



Tube O.D.		Thread UN/UNF-2A T	Thread UN/UNF-2B T6	B	D	F	Weight (steel)	Form	O-Lok® Steel	O-Lok® Stainless Steel	PN (bar)	
mm	in.			mm	mm	mm	g/1 piece		Steel	Stainless Steel	S	SS
10	3/8	9/16-18	11/16-16	22	5	20	21	B	6-4TRMLONS	6-4TRMLONSS	630	420
12	1/2	9/16-18	—	—	5	22	30	A	8-4 TRLO-S	8-4TRMLOSS	630	420
12	1/2	11/16-16	13/16-16	24	7	22	33	B	8-6TRMLONS	8-6TRMLONSS	630	420
16	5/8	9/16-18	—	—	5	23	37	A	10-4 TRLO-S	10-4TRMLOSS	420	420
16	5/8	11/16-16	—	—	7	24	48	A	10-6 TRLO-S	10-6TRMLOSS	420	420
16	5/8	13/16-16	—	—	10	26	50	A	10-8 TRLO-S	10-8TRMLOSS	420	420
20	3/4	9/16-18	—	—	5	25	63	A	12-4 TRLO-S	12-4TRMLOSS	420	420
20	3/4	11/16-16	—	—	7	26	66	A	12-6 TRLO-S	12-6TRMLOSS	420	420
20	3/4	13/16-16	—	—	10	28	71	A	12-8 TRLO-S	12-8TRMLOSS	420	420
20	3/4	1-14	1 3/16-12	36	13	30	85	B	12-10TRMLONS	12-10TRMLONSS	420	420
25	1	13/16-16	—	—	10	29	103	A	16-8 TRLO-S	16-8TRMLOSS	420	420
25	1	1-14	—	—	13	32	118	A	16-10 TRLO-S	16-10TRMLOSS	420	420
25	1	1 3/16-12	1 7/16-12	41	16	33	133	B	16-12 TRLO-S	16-12TRMLONSS	420	420
32	1 1/4	1 3/16-12	—	—	16	34	169	A	20-12 TRLO-S	20-12TRMLOSS	420	280
32	1 1/4	1 7/16-12	1 11/16-12	48	21	38	183	B	20-16 TRLO-S	20-16TRMLONSS	350	280
38	1 1/2	1 7/16-12	—	—	21	31	205	A	24-16 TRLO-S	24-16TRMLOSS	350	280
38	1 1/2	1 11/16-12	—	—	26	34	209	A	24-20 TRLO-S	24-20TRMLOSS	350	280
50	2	1 11/16-12	—	—	26	36	420	A	32-20 TRLO-S	32-20TRMLOSS	200	200
50	2	2-12	—	—	32	36	420	A	32-24 TRLO-S	32-24TRMLOSS	200	200

Product delivered with NBR TRAP seal. Replacement of TRAP seal is with a standard NBR O-ring – see page J73.

Part numbers shown are part of our current manufacturing programme.

Imperial and metric parts may vary in hexagon dimensions.

$$\frac{\text{PN (bar)}}{10} = \text{PN (MPa)}$$

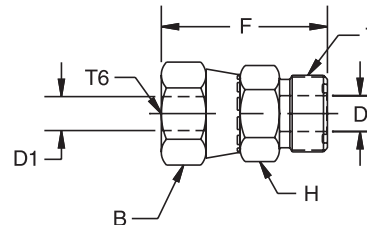
Pressure ratings – PN shown, apply to Steel and Stainless Steel versions of the product.

\*\*These size come assembled with a crimp style nut (Form B).

J

## LOHL6 Tube end expander

O-Lok® ORFS tube end / O-Lok® ORFS female swivel end



Tube O.D.		Thread UN/UNF-2A T	Thread UN/UNF-2B T6	B mm	D mm	D1 mm	H mm	F mm	Weight (steel) g/1 piece	O-Lok® Steel	PN (bar)
mm	in.										
8, 10	5/16, 3/8	11/16-16	9/16-18	18	7	4	19	35	33	<b>6-4LOHL6</b>	630
12	1/2	13/16-16	11/16-16	21	10	7	22	39	52	<b>8-6LOHL6</b>	630
14, 15, 16	5/8	1-14	13/16-16	24	13	9	27	46	92	<b>10-8LOHL6</b>	420
18, 20	3/4	1 3/16-12	1-14	29	16	12	32	51	146	<b>12-10LOHL6</b>	420
22, 25	1	1 7/16-12	1 3/16-12	35	21	14	41	55	205	<b>16-12LOHL6</b>	420
28, 30, 32	1 1/4	1 11/16-12	1 7/16-12	42	26	20	46	58	260	<b>20-16LOHL6</b>	350
35, 38	1 1/2	2-12	1 11/16-12	48	26	26	55	60	315	<b>24-20LOHL6</b>	280

Product delivered with NBR TRAP seal. Replacement of TRAP seal is with a standard NBR O-ring – see page J73.

Part numbers shown are part of our current manufacturing programme.

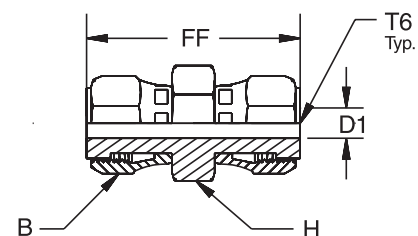
Imperial and metric parts may vary in hexagon dimensions.

$$\frac{\text{PN (bar)}}{10} = \text{PN (MPa)}$$



## HL6 Swivel nut union

O-Lok® ORFS female swivel ends



Tube O.D.		Thread UN/UNF-2B T6	B mm	D1 mm	FF mm	H mm	Weight (steel) g/1 piece	O-Lok® Steel	PN (bar)
mm	in.								
6	1/4	9/16-18	18	4.0	40.4	17	53	<b>4 HL6-S</b>	500
8, 10	5/16, 3/8	11/16-16	21	6.5	45.0	19	66	<b>6 HL6-S</b>	630
12	1/2	13/16-16	24	9.0	53.8	22	110	<b>8 HL6-S</b>	630
14, 15, 16	5/8	1-14	29	11.5	61.5	27	173	<b>10 HL6-S</b>	420
18, 20	3/4	1 3/16-12	35	14.0	69.6	32	275	<b>12 HL6-S</b>	420

Part numbers shown are part of our current manufacturing programme.

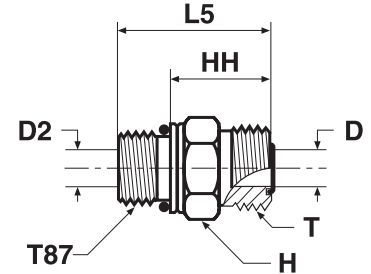
Imperial and metric parts may vary in hexagon dimensions.

$$\frac{\text{PN (bar)}}{10} = \text{PN (MPa)}$$

J

## F87OMLO Male stud connector

O-Lok® ORFS tube end / Male metric thread – O-ring (ISO 6149-2)  
 SAE 52M0187 ISO 8434-3 SDS



Tube O.D.		Thread metric T87	Thread UN/UNF-2A T	D mm	D2 mm	H mm	HH mm	L5 mm	Weight (steel) g/1 piece	O-Lok® Steel	O-Lok® Stainless Steel	PN (bar)	
mm	in.											S	SS
6	1/4	M 10×1.0	9/16-18	5	3	17	18	27	20	4M10F87OMLOS	4M10F87OMLOSS	630	630
6	1/4	M 12×1.5	9/16-18	5	4	17	18	29	24	4M12F87OMLOS	4M12F87OMLOSS	630	630
6	1/4	M 14×1.5	9/16-18	5	5	19	19	30	30	4M14F87OMLOS	4M14F87OMLOSS	630	630
8, 10	5/16, 3/8	M 12×1.5	11/16-16	6	4	19	21	32	40	6M12F87OMLOS	6M12F87OMLOSS	630	630
8, 10	5/16, 3/8	M 14×1.5	11/16-16	7	6	19	20	31	43	6M14F87OMLOS	6M14F87OMLOSS	630	630
8, 10	5/16, 3/8	M 16×1.5	11/16-16	7	7	22	21	34	43	6M16F87OMLOS	6M16F87OMLOSS	630	630
8, 10	5/16, 3/8	M 18×1.5	11/16-16	7	7	24	21	35	45	6M18F87OMLOS	6M18F87OMLOSS	630	630
8, 10	5/16, 3/8	M 22×1.5	11/16-16	7	7	27	23	38	52	6M22F87OMLOS	6M22F87OMLOSS	420	420
12	1/2	M 14×1.5	13/16-16	10	6	22	24	35	40	8M14F87OMLOS	8M14F87OMLOSS	630	630
12	1/2	M 16×1.5	13/16-16	10	7	22	20	37	58	8M16F87OMLOS	8M16F87OMLOSS	630	630
12	1/2	M 18×1.5	13/16-16	10	9	24	23	37	55	8M18F87OMLOS	8M18F87OMLOSS	630	630
12	1/2	M 22×1.5	13/16-16	10	10	27	24	39	60	8M22F87OMLOS	8M22F87OMLOSS	420	420
12	1/2	M 27×2.0	13/16-16	10	10	32	26	44	70	8M27F87OMLOS	8M27F87OMLOSS	420	420
14, 15, 16	5/8	M 18×1.5	1-14	13	9	27	27	41	120	10M18F87OMLOS	10M18F87OMLOSS	420	420
14, 15, 16	5/8	M 22×1.5	1-14	13	12	27	27	42	127	10M22F87OMLOS	10M22F87OMLOSS	420	420
18, 20	3/4	M 22×1.5	1 3/16-12	16	12	32	35	50	170	12M22F87OMLOS	12M22F87OMLOSS	420	420
18, 20	3/4	M 27×2.0	1 3/16-12	16	15	32	30	49	187	12M27F87OMLOS	12M27F87OMLOSS	420	420
18, 20	3/4	M 33×2.0	1 3/16-12	16	16	41	31	50	200	12M33F87OMLOS	12M33F87OMLOSS	420	420
22, 25	1	M 27×2.0	1 7/16-12	21	15	41	36	54	230	16M27F87OMLOS	16M27F87OMLOSS	420	420
22, 25	1	M 33×2.0	1 7/16-12	21	20	41	34	52	270	16M33F87OMLOS	16M33F87OMLOSS	420	280
28, 30, 32	1 1/4	M 33×2.0	1 11/16-12	26	20	46	36	54	370	20M33F87OMLOS	20M33F87OMLOSS	420	280
28, 30, 32	1 1/4	M 42×2.0	1 11/16-12	26	26	50	36	55	390	20M42F87OMLOS	20M42F87OMLOSS	420	280
35, 38	1 1/2	M 42×2.0	2-12	32	26	55	41	60	400	24M42F87OMLOS	24M42F87OMLOSS	350	280
35, 38	1 1/2	M 48×2.0	2-12	32	32	55	36	57	412	24M48F87OMLOS	24M48F87OMLOSS	350	280
50	2	M 60×2.0	2 1/2-12	40	40	65	41	65	800	32M60F87OMLOS	32M60F87OMLOSS	200	280

Product delivered with NBR TRAP seal. Replacement of TRAP seal is with a standard NBR O-ring – see page J73.

Part numbers shown are part of our current manufacturing programme.

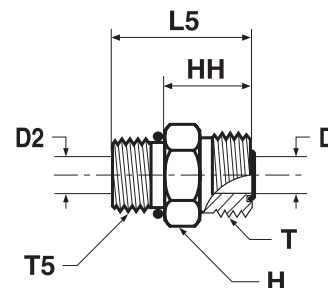
Imperial and metric parts may vary in hexagon dimensions.

$$\frac{\text{PN (bar)}}{10} = \text{PN (MPa)}$$

Pressure ratings – PN shown, apply to Steel and Stainless Steel versions of the product.

## F5OMLO Male stud connector

O-Lok® ORFS tube end / Male UN/UNF thread – O-ring (ISO 11926)  
SAE 520120



Tube O.D.		Thread UN/UNF-2A T5	Thread UN/UNF-2A T	D	D2	H	HH	L5	Weight (steel)	O-Lok® Steel	O-Lok® Stainless Steel	PN (bar)	
mm	in.			mm	mm	mm	mm	mm	g/1 piece			S	SS
6	1/4	7/16-20	9/16-18	5	5	17	18	29	21	<b>4F5OMLOS</b>	<b>4F5OMLOSS</b>	630	630
6	1/4	1/2-20	9/16-18	5	6	17	19	29	30	<b>4-5 F5OLO-S</b>	<b>4-5F5OMLOSS</b>	630	630
6	1/4	9/16-18	9/16-18	5	5	19	19	31	36	<b>4-6F5OMLOS</b>	<b>4-6F5OMLOSS</b>	630	630
6	1/4	3/4-16	9/16-18	5	5	22	20	34	67	<b>4-8 F5OLO-S</b>	<b>4-8F5OMLOSS</b>	630	630
8, 10	5/16, 3/8	9/16-18	11/16-16	7	7	19	20	32	45	<b>6F5OMLOS</b>	<b>6F5OMLOSS</b>	630	630
8, 10	5/16, 3/8	7/16-20	11/16-16	7	5	19	23	34	47	<b>6-4F5OMLOS</b>	<b>6-4F5OMLOSS</b>	630	630
8, 10	5/16, 3/8	1/2-20	11/16-16	7	6	19	21	31	50	<b>6-5 F5OLO-S</b>	<b>6-5F5OMLOSS</b>	630	630
8, 10	5/16, 3/8	3/4-16	11/16-16	7	7	22	21	35	51	<b>6-8F5OMLOS</b>	<b>6-8F5OMLOSS</b>	630	630
8, 10	5/16, 3/8	7/8-14	11/16-16	7	7	27	23	39	89	<b>6-10F5OMLOS</b>	<b>6-10F5OMLOSS</b>	420	420
10	1/2	3/4-16	13/16-16	10	10	22	23	37	56	<b>8F5OMLOS</b>	<b>8F5OMLOSS</b>	630	630
12	1/2	9/16-18	13/16-16	10	8	22	26	38	69	<b>8-6F5OMLOS</b>	<b>8-6F5OMLOSS</b>	630	630
12	1/2	7/8-14	13/16-16	10	10	27	24	40	105	<b>8-10F5OMLOS</b>	<b>8-10F5OMLOSS</b>	420	420
12	1/2	1 1/16-12	13/16-16	10	10	32	26	44	169	<b>8-12F5OMLOS</b>	<b>8-12F5OMLOSS</b>	420	420
12	1/2	1 5/16-12	13/16-16	10	10	38	27	46	227	<b>8-16F5OMLOS</b>	<b>8-16F5OMLOSS</b>	420	420
14, 15, 16	5/8	7/8-14	1-14	13	13	27	27	43	137	<b>10F5OMLOS</b>	<b>10F5OMLOSS</b>	420	420
14, 15, 16	5/8	3/4-16	1-14	13	10	27	31	45	120	<b>10-8F5OMLOS</b>	<b>10-8F5OMLOSS</b>	420	420
14, 15, 16	5/8	1 1/16-12	1-14	13	13	32	29	47	170	<b>10-12F5OMLOS</b>	<b>10-12F5OMLOSS</b>	420	420
18, 20	3/4	1 1/16-12	1 3/16-12	16	16	32	30	49	189	<b>12F5OMLOS</b>	<b>12F5OMLOSS</b>	420	420
18, 20	3/4	3/4-16	1 3/16-12	16	10	32	35	49	167	<b>12-8 F5OLO-S</b>	<b>12-8F5OMLOSS</b>	420	420
18, 20	3/4	7/8-14	1 3/16-12	16	13	32	35	51	177	<b>12-10F5OMLOS</b>	<b>12-10F5OMLOSS</b>	420	420
18, 20	3/4	1 5/16-12	1 3/16-12	16	16	41	31	50	280	<b>12-16F5OMLOS</b>	<b>12-16F5OMLOSS</b>	420	420
18, 20	3/4	1 5/8-12	1 3/16-12	16	16	46	32	51	350	<b>12-20F5OMLOS</b>	<b>12-20F5OMLOSS</b>	420	420
22, 25	1	1 5/16-12	1 7/16-12	21	21	41	32	50	271	<b>16 F5OLO-S</b>	<b>16F5OMLOSS</b>	420	420
22, 25	1	1 1/16-12	1 7/16-12	21	16	41	36	55	275	<b>16-12 F5OLO-S</b>	<b>16-12F5OMLOSS</b>	420	420
22, 25	1	1 5/8-12	1 7/16-12	21	21	46	34	52	428	<b>16-20 F5OLO-S</b>	<b>16-20F5OMLOSS</b>	420	280
28, 30, 32	1 1/4	1 5/8-12	1 11/16-12	26	26	46	34	52	391	<b>20F5OMLOS</b>	<b>20F5OMLOSS</b>	420	280
28, 30, 32	1 1/4	1 5/16-12	1 11/16-12	26	21	48	39	58	401	<b>20-16 F5OLO-S</b>	<b>20-16F5OMLOSS</b>	420	280
28, 30, 32	1 1/4	1 7/8-12	1 11/16-12	26	32	54	36	54	557	<b>20-24 F5OLO-S</b>	<b>20-24F5OMLOSS</b>	350	280
35, 38	1 1/2	1 7/8-12	2-12	32	32	54	36	54	412	<b>24 F5OLO-S</b>	<b>24F5OMLOSS</b>	350	280
35, 38	1 1/2	1 5/8-12	2-12	32	26	54	41	60	581	<b>24-20 F5OLO-S</b>	<b>24-20F5OMLOSS</b>	350	280
50	2	2 1/2-12	2 1/2-12	45	40	70	40	59	900	<b>32 F5OLO-S</b>	<b>32F5OMLOSS</b>	200	200

Product delivered with NBR TRAP seal. Replacement of TRAP seal is with a standard NBR O-ring – see page J73.

Part numbers shown are part of our current manufacturing programme.

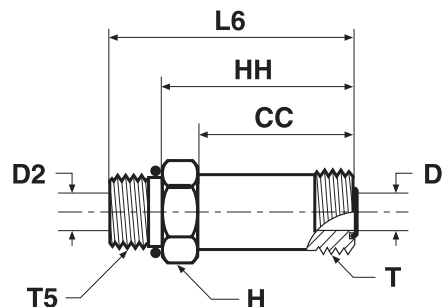
Imperial and metric parts may vary in hexagon dimensions.

$$\frac{\text{PN (bar)}}{10} = \text{PN (MPa)}$$

Pressure ratings – PN shown, apply to Steel and Stainless Steel versions of the product.

## FF5OMLO Extended male stud connector

O-Lok® ORFS tube end / Male UN/UNF thread – O-ring (ISO 11926)  
 SAE 521720 (Previously 520122)



Tube O.D.		Thread UN/UNF-2A T5	Thread UN/UNF-2A T	CC mm	D mm	D2 mm	H mm	HH mm	L6 mm	Weight (steel) g/1 piece	O-Lok® Steel	O-Lok® Stainless Steel	PN (bar)	
mm	in.												S	SS
6	1/4	7/16-20	9/16-18	34	5	5	16	42	53	51	<b>4 FF5OLO-S</b>	<b>4FF5OMLOSS</b>	630	630
8, 10	5/16, 3/8	9/16-18	11/16-16	37	7	7	19	46	58	79	<b>6 FF5OLO-S</b>	<b>6FF5OMLOSS</b>	630	630
12	1/2	3/4-16	13/16-16	44	10	10	22	54	68	125	<b>8 FF5OLO-S</b>	<b>8FF5OMLOSS</b>	630	630
14, 15, 16	5/8	7/8-14	1-14	52	13	13	27	64	80	212	<b>10 FF5OLO-S</b>	<b>10FF5OMLOSS</b>	420	420
18, 20	3/4	1 1/16-12	1 3/16-12	64	16	16	33	77	96	309	<b>12 FF5OLO-S</b>	<b>12FF5OMLOSS</b>	420	420
22, 25	1	1 5/16-12	1 7/16-12	72	21	21	38	87	105	435	<b>16 FF5OLO-S</b>	<b>16FF5OMLOSS</b>	420	420
28, 30, 32	1 1/4	1 5/8-12	1 11/16-12	86	26	26	48	102	121	818	<b>20 FF5OLO-S</b>	<b>20FF5OMLOSS</b>	420	280
35, 38	1 1/2	1 7/8-12	2-12	97	32	32	54	115	134	1430	<b>24 FF5OLO-S</b>	<b>24FF5OMLOSS</b>	350	280

Product delivered with NBR TRAP seal. Replacement of TRAP seal is with a standard NBR O-ring – see page J73.

Part numbers shown are part of our current manufacturing programme.

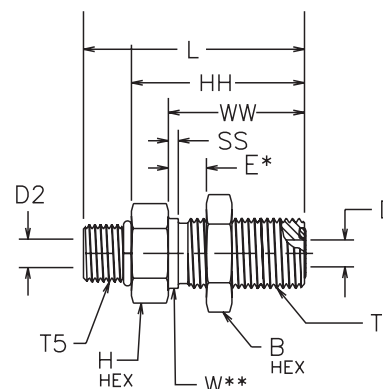
Imperial and metric parts may vary in hexagon dimensions.

$$\frac{\text{PN (bar)}}{10} = \text{PN (MPa)}$$

Pressure ratings – PN shown, apply to Steel and Stainless Steel versions of the product.

## WF5OLO Bulkhead male connector

O-Lok® ORFS tube end / Male UN/UNF – O-ring (ISO 11926)



Tube O.D. mm	Tube O.D. in.	Thread UN/UNF-2A T	Thread UN/UNF-2A T5	B mm	D mm	D2 mm	E mm	H mm	HH mm	L mm	SS mm	W mm	WW mm	Weight (steel) g/1 piece	O-Lok® Steel	PN (bar)
6	1/4	9/16-18	7/16-20	21	5	5	14	21	43	54	2	14	32	75	<b>4 WF5OLO-WLNL-S</b>	630
6	1/4	9/16-18	9/16-18	21	5	8	14	21	43	55	2	14	32	88	<b>4-6 WF5OLO-WLNL-S</b>	630
8, 10	5/16, 3/8	11/16-16	9/16-18	25	7	8	14	25	46	58	2	18	34	112	<b>6 WF5OLO-WLNL-S</b>	630
12	1/2	13/16-16	3/4-16	29	10	10	14	29	52	65	2	21	37	147	<b>8 WF5OLO-WLNL-S</b>	630
14, 15, 16	5/8	1-14	7/8-14	33	13	13	13	33	51	67	2	25	41	295	<b>10 WF5OLO-WLNL-S</b>	420
18, 20	3/4	1 3/16-12	1 1/16-12	38	16	16	13	38	52	71	2	30	42	330	<b>12 WF5OLO-WLNL-S</b>	420

Product delivered with NBR TRAP seal. Replacement of TRAP seal is with a standard NBR O-ring – see page J73.

Part numbers shown are part of our current manufacturing programme.

Imperial and metric parts may vary in hexagon dimensions.

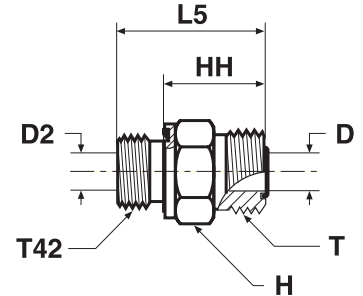
For the version without the locknut remove "WLNL" (e.g. 12 WF5OLO)

$$\frac{\text{PN (bar)}}{10} = \text{PN (MPa)}$$



## F42EDMLO Male stud connector

O-Lok® ORFS tube end / Male BSPP thread – ED seal (ISO 1179)



Tube O.D.		BSPP male thread T42	Thread UN/UNF-2A T	D mm	D2 mm	H mm	HH mm	L5 mm	Weight (steel) g/1 piece	O-Lok® Steel	O-Lok® Stainless Steel	PN (bar)	
mm	in.											S	SS
6	1/4	1/8-28	9/16-18	5	4	17	18	26	29	4F42EDMLOS	4F42EDMLOSS	630	630
6	1/4	1/4-19	9/16-18	5	5	19	18	31	42	4-4F42EDMLOS	4-4F42EDMLOSS	630	630
6	1/4	3/8-19	9/16-18	5	5	22	20	32	61	4-6F42EDMLOS	4-6F42EDMLOSS	630	630
6	1/4	1/2-14	9/16-18	5	5	27	21	35	119	4-8F42EDMLOS	4-8F42EDMLOSS	420	420
8, 10	5/16, 3/8	1/4-19	11/16-16	7	5	19	20	32	45	6F42EDMLOS	6F42EDMLOSS	630	630
8, 10	5/16, 3/8	1/8-28	11/16-16	7	4	19	23	31	44	6-2F42EDMLOS	6-2F42EDMLOSS	630	630
8, 10	5/16, 3/8	3/8-19	11/16-16	7	7	22	21	33	63	6-6F42EDMLOS	6-6F42EDMLOSS	630	630
8, 10	5/16, 3/8	1/2-14	11/16-16	7	7	27	23	37	122	6-8F42EDMLOS	6-8F42EDMLOSS	420	420
8, 10	5/16, 3/8	3/4-14	11/16-16	7	7	32	24	40	192	6-12F42EDMLOS	6-12F42EDMLOSS	420	420
12	1/2	3/8-19	13/16-16	10	8	22	23	35	196	8F42EDMLOS	8F42EDMLOSS	630	630
12	1/2	1/4-19	13/16-16	10	5	22	25	38	193	8-4F42EDMLOS	8-4F42EDMLOSS	630	630
12	1/2	1/2-14	13/16-16	10	10	27	24	38	198	8-8F42EDMLOS	8-8F42EDMLOSS	420	420
12	1/2	3/4-14	13/16-16	10	10	32	26	42	205	8-12F42EDMLOS	8-12F42EDMLOSS	420	420
14, 15, 16	5/8	1/2-14	1-14	13	13	27	27	41	332	10F42EDMLOS	10F42EDMLOSS	420	420
14, 15, 16	5/8	3/8-19	1-14	13	8	27	31	43	315	10-6F42EDMLOS	10-6F42EDMLOSS	420	420
14, 15, 16	5/8	3/4-14	1-14	13	13	32	29	45	348	10-12F42EDMLOS	10-12F42EDMLOSS	420	420
14, 15, 16	5/8	1-11	1-14	13	13	41	30	48	360	10-16F42EDMLOS	10-16F42EDMLOSS	420	420
18, 20	3/4	3/4-14	1 3/16-12	16	16	32	30	46	200	12F42EDMLOS	12F42EDMLOSS	420	420
18, 20	3/4	1/2-14	1 3/16-12	16	12	32	34	49	183	12-8F42EDMLOS	12-8F42EDMLOSS	420	420
18, 20	3/4	1-11	1 3/16-12	16	16	41	31	49	362	12-16F42EDMLOS	12-16F42EDMLOSS	420	420
18, 20	3/4	1 1/4-11	1 3/16-12	16	16	50	33	53	505	12-20F42EDMLOS	12-20F42EDMLOSS	420	420
22, 25	1	1-11	1 7/16-12	21	20	41	32	50	343	16F42EDMLOS	16F42EDMLOSS	420	420
22, 25	1	1/2-14	1 7/16-12	21	12	41	36	50	380	16-8F42EDMLOS	16-8F42EDMLOSS	420	420
22, 25	1	3/4-14	1 7/16-12	21	16	41	36	52	411	16-12F42EDMLOS	16-12F42EDMLOSS	420	420
22, 25	1	1 1/4-11	1 7/16-12	21	21	50	34	54	487	16-20F42EDMLOS	16-20F42EDMLOSS	420	420
22, 25	1	1 1/2-11	1 7/16-12	21	21	55	36	58	715	16-24F42EDMLOS	16-24F42EDMLOSS	350	280
28, 30, 32	1 1/4	1 1/4-11	1 11/16-12	25	25	50	34	54	454	20F42EDMLOS	20F42EDMLOSS	420	280
28, 30, 32	1 1/4	1-11	1 11/16-12	26	20	46	39	57	412	20-16F42EDMLOS	20-16F42EDMLOSS	420	280
28, 30, 32	1 1/4	1 1/2-11	1 11/16-12	26	26	55	36	58	532	20-24F42EDMLOS	20-24F42EDMLOSS	350	280
35, 38	1 1/2	1 1/2-11	2-12	32	32	55	36	58	585	24F42EDMLOS	24F42EDMLOSS	350	280
35, 38	1 1/2	1 1/4-11	2-12	32	25	55	41	61	540	24-20F42EDMLOS	24-20F42EDMLOSS	350	280
50	2	2-11	2 1/2-12	40	40	75	41	65	900	32F42EDMLOS	32F42EDMLOSS	200	200

Product delivered with NBR TRAP seal. Replacement of TRAP seal is with a standard NBR O-ring – see page J73.

Part numbers shown are part of our current manufacturing programme.

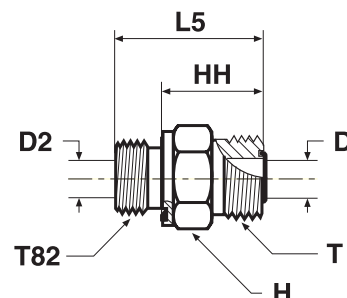
Imperial and metric parts may vary in hexagon dimensions.

$$\frac{\text{PN (bar)}}{10} = \text{PN (MPa)}$$

Pressure ratings – PN shown, apply to Steel and Stainless Steel versions of the product.

## F82EDMLO Male stud connector

O-Lok® ORFS tube end / Male metric thread – ED seal (ISO 9974)



Tube O.D.		Thread metric T82	Thread UN/UNF-2A T	D mm	D2 mm	H mm	HH mm	L5 mm	Weight (steel) g/1 piece	O-Lok® Steel	O-Lok® Stainless Steel	PN (bar)	
mm	in.											S	SS
6	1/4	M 10×1.0	9/16-18	5	4	17	18	26	20	4M10F82EDMLOS	4M10F82EDMLOSS	630	630
6	1/4	M 12×1.5	9/16-18	5	4	17	18	30	24	4M12F82EDMLOS	4M12F82EDMLOSS	630	630
6	1/4	M 14×1.5	9/16-18	5	5	19	19	31	29	4M14F82EDMLOS	4M14F82EDMLOSS	630	630
6	1/4	M 16×1.5	9/16-18	5	7	22	19	31	33	4M16F82EDMLOS	4M16F82EDMLOSS	630	630
8, 10	5/16, 3/8	M 12×1.5	11/16-16	7	4	19	23	35	35	6M12F82EDMLOS	6M12F82EDMLOSS	630	630
8, 10	5/16, 3/8	M 14×1.5	11/16-16	7	5	19	20	32	40	6M14F82EDMLOS	6M14F82EDMLOSS	630	630
8, 10	5/16, 3/8	M 16×1.5	11/16-16	7	7	22	20	32	43	6M16F82EDMLOS	6M16F82EDMLOSS	630	630
12	1/2	M 16×1.5	13/16-16	10	7	22	26	38	49	8M16F82EDMLOS	8M16F82EDMLOSS	630	630
12	1/2	M 18×1.5	13/16-16	10	8	24	23	35	55	8M18F82EDMLOS	8M18F82EDMLOSS	630	630
14, 15, 16	5/8	M 16×1.5	1-14	13	7	27	30	42	70	10M16F82EDMLOS	10M16F82EDMLOSS	420	420
14, 15, 16	5/8	M 18×1.5	1-14	13	8	27	31	43	85	10M18F82EDMLOS	10M18F82EDMLOSS	420	420
14, 15, 16	5/8	M 22×1.5	1-14	13	12	27	27	41	127	10M22F82EDMLOS	10M22F82EDMLOSS	420	420
18, 20	3/4	M 27×2.0	1 3/16-12	16	16	32	30	46	187	12M27F82EDMLOS	12M27F82EDMLOSS	420	420
22, 25	1	M 33×2.0	1 7/16-12	20	20	41	32	50	270	16M33F82EDMLOS	16M33F82EDMLOSS	420	420
28, 30, 32	1 1/4	M 42×2.0	1 11/16-12	26	25	50	34	54	390	20M42F82EDMLOS	20M42F82EDMLOSS	420	280
35, 38	1 1/2	M 48×2.0	2-12	32	32	55	36	58	412	24M48F82EDMLOS	24M48F82EDMLOSS	350	280

Product delivered with NBR TRAP seal. Replacement of TRAP seal is with a standard NBR O-ring – see page J73.

Part numbers shown are part of our current manufacturing programme.

Imperial and metric parts may vary in hexagon dimensions.

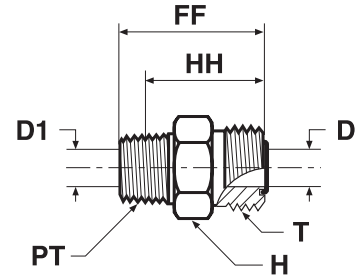
$$\frac{\text{PN (bar)}}{10} = \text{PN (MPa)}$$

Pressure ratings – PN shown, apply to Steel and Stainless Steel versions of the product.

## FLO Male stud connector

O-Lok® ORFS tube end / Male NPTF\* thread (SAE J476)

\*Stainless Steel = NPT to prevent galling



Tube O.D.		Thread NPTF PT	Thread UN/UNF-2A T	D	D1	FF	H	HH	Weight (steel)	O-Lok® Steel	O-Lok® Stainless Steel	PN (bar)	
mm	in.			mm	mm	mm	mm	mm	g/1 piece			S	SS
6	1/4	1/8-27	9/16-18	5	5	27	16	21.0	26	<b>4 FLO-S</b>	<b>4 FLO-SS</b>	420	420
6	1/4	1/4-18	9/16-18	5	7	32	16	23.0	34	<b>4-4 FLO-S</b>	<b>4-4 FLO-SS</b>	420	420
6	1/4	3/8-18	9/16-18	5	5	36	19	25.0	47	<b>4-6 FLO-S</b>	<b>4-6 FLO-SS</b>	420	420
8, 10	5/16, 3/8	1/4-18	11/16-16	7	7	32	19	23.0	39	<b>6 FLO-S</b>	<b>6 FLO-SS</b>	420	420
8, 10	5/16, 3/8	3/8-18	11/16-16	7	7	34	19	25.0	52	<b>6-6 FLO-S</b>	<b>6-6 FLO-SS</b>	420	420
8, 10	5/16, 3/8	1/2-14	11/16-16	7	13	39	22	28.0	82	<b>6-8 FLO-S</b>	<b>6-8 FLO-SS</b>	420	420
12	1/2	3/8-18	13/16-16	10	10	38	22	29.0	83	<b>8 FLO-S</b>	<b>8 FLO-SS</b>	420	420
12	1/2	1/2-14	13/16-16	10	13	42	22	30.0	84	<b>8-8 FLO-S</b>	<b>8-8 FLO-SS</b>	420	420
12	1/2	3/4-14	13/16-16	10	18	43	29	31.0	166	<b>8-12 FLO-S</b>	<b>8-12 FLO-SS</b>	380	350
14, 15, 16	5/8	1/2-14	1-14	13	13	46	27	35.0	115	<b>10 FLO-S</b>	<b>10 FLO-SS</b>	420	420
14, 15, 16	5/8	3/4-14	1-14	13	18	46	29	34.0	138	<b>10-12 FLO-S</b>	<b>10-12 FLO-SS</b>	380	350
18, 20	3/4	3/4-14	1 3/16-12	15	18	49	32	37.0	179	<b>12 FLO-S</b>	<b>12 FLO-SS</b>	380	350
18, 20	3/4	1/2-14	1 3/16-12	15	13	49	32	37.0	165	<b>12-8 FLO-S</b>	<b>12-8 FLO-SS</b>	420	420
18, 20	3/4	1-11.5	1 3/16-12	15	24	54	35	40.0	225	<b>12-16 FLO-S</b>	<b>12-16 FLO-SS</b>	310	210
22, 25	1	1-11.5	1 7/16-12	21	24	56	38	41.0	271	<b>16 FLO-S</b>	<b>16 FLO-SS</b>	310	210
22, 25	1	3/4-14	1 7/16-12	21	18	51	38	39.0	238	<b>16-12 FLO-S</b>	<b>16-12 FLO-SS</b>	380	350
28, 30, 32	1 1/4	1 1/4-11.5	1 11/16-12	26	32	58	48	43.5	424	<b>20 FLO-S</b>	<b>20 FLO-SS</b>	210	210
35, 38	1 1/2	1 1/2-11.5	2-12	32	38	61	54	46.0	534	<b>24 FLO-S</b>	<b>24 FLO-SS</b>	200	175

Product delivered with NBR TRAP seal. Replacement of TRAP seal is with a standard NBR O-ring – see page J73.

Part numbers shown are part of our current manufacturing programme.

Imperial and metric parts may vary in hexagon dimensions.

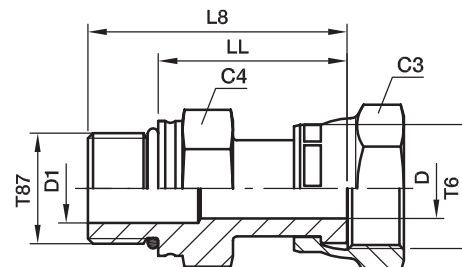
$$\frac{\text{PN (bar)}}{10} = \text{PN (MPa)}$$

Pressure ratings – PN shown, apply to Steel and Stainless Steel versions of the product.



## F687OML Swivel male stud

O-Lok® ORFS Female swivel end / Male metric thread – O-ring (ISO 6149-2)



Tube O.D.	mm	in.	Thread metric T87	Thread UN/UNF-2B T6	C3 mm	C4 mm	D mm	D1 mm	L8 mm	LL mm	Weight (steel) g/1 piece	O-Lok®		PN (bar)	
												Steel	Stainless Steel	S	SS
6		1/4	M 12×1.5	9/16-18	17	17	4	4	38	27	53	<b>4M12F687OMLS</b>	<b>4M12F687OMLSS</b>	500	420
6		5/16	M 12×1.5	11/16-16	22	17	7	4	40	29	66	<b>6M12F687OMLS</b>	<b>6M12F687OMLSS</b>	630	420
8		3/8	M 14×1.5	11/16-16	22	19	7	6	40	29	72	<b>6M14F687OMLS</b>	<b>6M14F687OMLSS</b>	630	420
8, 10		5/16, 3/8	M 16×1.5	11/16-16	22	22	7	7	42	29	85	<b>6M16F687OMLS</b>	<b>6M16F687OMLSS</b>	630	420
12		1/2	M 16×1.5	13/16-16	24	22	9	7	49	36	110	<b>8M16F687OMLS</b>	<b>8M16F687OMLSS</b>	630	420
14, 15, 16		5/8	M 22×1.5	1-14	30	27	12	12	53	38	173	<b>10M22F687OMLS</b>	<b>10M22F687OMLSS</b>	420	400
18, 20		3/4	M 22×1.5	1 3/16-12	36	30	14	12	57	42	230	<b>12M22F687OMLS</b>	<b>12M22F687OMLSS</b>	420	400
18, 20		3/4	M 27×2.0	1 3/16-12	36	32	14	14	61	42	275	<b>12M27F687OMLS</b>	<b>12M27F687OMLSS</b>	420	400
22, 25		1	M 27×2.0	1 7/16-12	41	36	20	15	68	49	420	<b>16M27F687OMLS</b>	<b>16M27F687OMLSS</b>	420	400
22, 25		1	M 33×2.0	1 7/16-12	41	41	20	20	68	49	462	<b>16M33F687OMLS</b>	<b>16M33F687OMLSS</b>	420	400
28, 30, 32		1 1/4	M 42×2.0	1 11/16-12	50	50	26	26	68	49	622	<b>20M42F687OMLS</b>	<b>20M42F687OMLSS</b>	350	280
35, 38		1 1/2	M 48×2.0	2-12	60	55	32	32	71	50	885	<b>24M48F687OMLS</b>	<b>24M48F687OMLSS</b>	280	280

O-Lok® is delivered with NBR elastomeric seals as standard. For more details on other seal materials see page J73–J74.

Part numbers shown are part of our current manufacturing programme.

Imperial and metric parts may vary in hexagon dimensions.

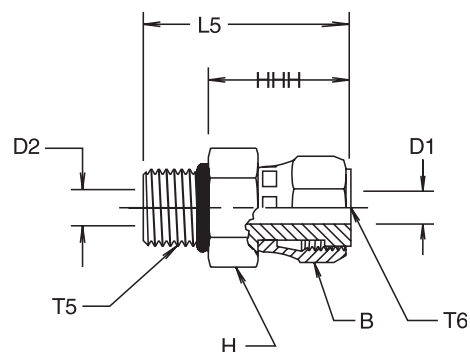
$$\frac{\text{PN (bar)}}{10} = \text{PN (MPa)}$$

Pressure ratings – PN shown, apply to Steel and Stainless Steel versions of the product.

J

## F65OL Swivel male stud

O-Lok® ORFS female swivel end / Male UN/UNF thread – O-ring (ISO 11926)  
SAE 520181



Tube O.D.		Thread UN/UNF-2A T5	Thread UN/UNF-2B T6	B mm	D1 mm	D2 mm	H mm	HHH mm	L5 mm	Weight (steel) g/1 piece	O-Lok® Steel	PN (bar)
mm	in.											
6	1/4	7/16-20	9/16-18	18	4	5	17	26	37	53	<b>4 F65OL-S</b>	500
8, 10	5/16, 3/8	9/16-18	11/16-16	21	7	7	19	28	40	66	<b>6 F65OL-S</b>	630
12	1/2	3/4-16	13/16-16	24	9	10	22	35	50	110	<b>8 F65OL-S</b>	630
14, 15, 16	5/8	7/8-14	1-14	29	12	13	27	38	54	173	<b>10 F65OL-S</b>	420
18, 20	3/4	1 1/16-12	1 3/16-12	35	14	16	32	41	59	275	<b>12 F65OL-S</b>	420
22, 25	1	1 5/16-12	1 7/16-12	42	20	21	41	49	68	462	<b>16 F65OL-S</b>	420
28, 30, 32	1 1/4	1 5/8-12	1 11/16-12	48	26	26	48	50	68	622	<b>20 F65OL-S</b>	350

O-Lok® is delivered with NBR elastomeric seals as standard. For more details on other seal materials see page J73–J74.

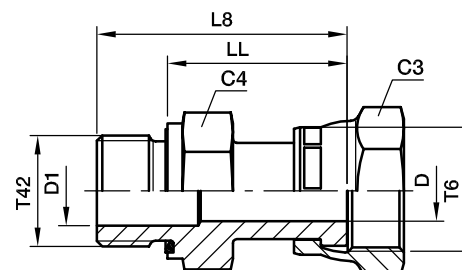
Part numbers shown are part of our current manufacturing programme.

Imperial and metric parts may vary in hexagon dimensions.

$$\frac{\text{PN (bar)}}{10} = \text{PN (MPa)}$$

## F642EDML Swivel male stud

O-Lok® ORFS Swivel female end / Male BSPP thread – ED seal (ISO 1179)



Tube O.D.		Thread BSPP T42	Thread UN/UNF-2B T6	C3 mm	C4 mm	D mm	D1 mm	L8 mm	LL mm	Weight (steel) g/1 piece	O-Lok® Steel	O-Lok® Stainless Steel	PN (bar)	
mm	in.												S	SS
6	1/4	1/8-28	9/16-18	17	14	4	4	34	26	43	<b>4F642EDMLS</b>	<b>4F642EDMLSS</b>	500	420
6	1/4	1/4-19	9/16-18	17	19	4	4	38	26	59	<b>4-4F642EDMLS</b>	<b>4-4F642EDMLSS</b>	500	420
8, 10	5/16, 3/8	1/4-19	11/16-16	22	19	7	5	40	28	72	<b>6F642EDMLS</b>	<b>6F642EDMLSS</b>	630	420
8, 10	5/16, 3/8	3/8-19	11/16-16	22	22	7	7	40	28	86	<b>6-6F642EDMLS</b>	<b>6-6F642EDMLSS</b>	630	420
8, 10	5/16, 3/8	1/2-14	11/16-16	22	27	7	7	42	28	92	<b>6-8F642EDMLS</b>	<b>6-8F642EDMLSS</b>	420	420
12	1/2	3/8-19	13/16-16	24	22	9	8	47	35	104	<b>8F642EDMLS</b>	<b>8F642EDMLSS</b>	630	420
12	1/2	1/4-19	13/16-16	24	22	9	5	47	35	98	<b>8-4F642EDMLS</b>	<b>8-4F642EDMLSS</b>	630	420
12	1/2	1/2-14	13/16-16	24	27	9	9	49	35	142	<b>8-8F642EDMLS</b>	<b>8-8F642EDMLSS</b>	420	420
14, 15, 16	5/8	1/2-14	1-14	30	27	12	12	52	38	165	<b>10F642EDMLS</b>	<b>10F642EDMLSS</b>	420	420
14, 15, 16	5/8	3/4-14	1-14	30	32	12	12	54	38	185	<b>10-12F642EDMLS</b>	<b>10-12F642EDMLSS</b>	420	420
18, 20	3/4	3/4-14	1 3/16-12	36	32	14	14	57	41	266	<b>12F642EDMLS</b>	<b>12F642EDMLSS</b>	420	420
18, 20	3/4	1/2-14	1 3/16-12	36	30	14	12	55	41	220	<b>12-8F642EDMLS</b>	<b>12-8F642EDMLSS</b>	420	420
22, 25	1	1-11	1 7/16-12	41	41	20	20	67	49	414	<b>16F642EDMLS</b>	<b>16F642EDMLSS</b>	420	420
28, 30, 32	1 1/4	1 1/4-11	1 11/16-12	50	50	26	25	69	49	623	<b>20F642EDMLS</b>	<b>20F642EDMLSS</b>	350	280
35, 38	1 1/2	1 1/2-11	2-12	60	55	32	32	72	50	885	<b>24F642EDMLS</b>	<b>24F642EDMLSS</b>	280	280

O-Lok® is delivered with NBR elastomeric seals as standard. For more details on other seal materials see page J73–J74.

Part numbers shown are part of our current manufacturing programme.

Imperial and metric parts may vary in hexagon dimensions.

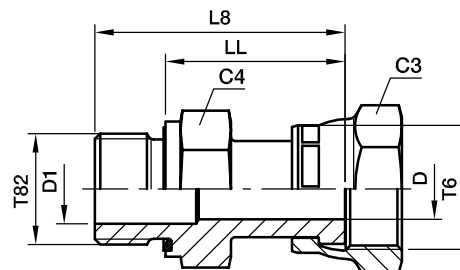
$$\frac{\text{PN (bar)}}{10} = \text{PN (MPa)}$$

Pressure ratings – PN shown, apply to Steel and Stainless Steel versions of the product.

J

## F682EDML Swivel male stud

O-Lok® ORFS Swivel female end / Male metric thread – ED seal (ISO 9974)



Tube O.D.		Thread metric T82	Thread UN/UNF-2B T6	C3 mm	C4 mm	D mm	D1 mm	L8 mm	LL mm	Weight (steel) g/1 piece	O-Lok®		PN (bar)	
mm	in.										Steel	Stainless Steel	S	SS
6	1/4	M 12×1.5	9/16-18	17	17	4	4	39	27	56	<b>4M12F682EDMLS</b>	<b>4M12F682EDMLSS</b>	500	420
8, 10	5/16, 3/8	M 14×1.5	11/16-16	22	19	7	5	41	29	73	<b>6M14F682EDMLS</b>	<b>6M14F682EDMLSS</b>	630	420
8, 10	5/16, 3/8	M 16×1.5	11/16-16	24	22	7	7	41	29	85	<b>6M16F682EDMLS</b>	<b>6M16F682EDMLSS</b>	630	420
12	1/2	M 16×1.5	13/16-16	24	22	9	7	48	36	109	<b>8M16F682EDMLS</b>	<b>8M16F682EDMLSS</b>	630	420
14, 15, 16	5/8	M 22×1.5	1-14	30	27	12	12	53	39	165	<b>10M22F682EDMLS</b>	<b>10M22F682EDMLSS</b>	420	420
18, 20	3/4	M 27×2.0	1 3/16-12	36	32	14	14	58	42	282	<b>12M27F682EDMLS</b>	<b>12M27F682EDMLSS</b>	420	420
22, 25	1	M 33×2.0	1 7/16-12	41	41	20	20	68	50	467	<b>16M33F682EDMLS</b>	<b>16M33F682EDMLSS</b>	420	420
28, 30, 32	1 1/4	M 42×2.0	1 11/16-12	50	50	26	25	70	50	635	<b>20M42F682EDMLS</b>	<b>20M42F682EDMLSS</b>	350	280
35, 38	1 1/2	M 48×2.0	2-12	60	55	32	32	72	50	885	<b>24M48F682EDMLS</b>	<b>24M48F682EDMLSS</b>	280	280

O-Lok® is delivered with NBR elastomeric seals as standard. For more details on other seal materials see page J73–J74.

Part numbers shown are part of our current manufacturing programme.

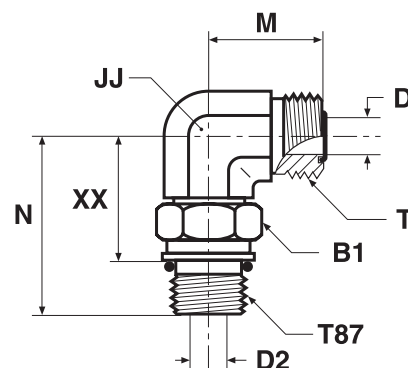
Imperial and metric parts may vary in hexagon dimensions.

$$\frac{\text{PN (bar)}}{10} = \text{PN (MPa)}$$

Pressure ratings – PN shown, apply to Steel and Stainless Steel versions of the product.

## C87OMLO Male stud elbow

O-Lok® ORFS tube end / Male metric thread – O-ring (ISO 6149-2)  
SAE 52M0287 ISO 8434-3 SDE



Tube O.D.	mm	in.	Thread metric T87	Thread UN/UNF-2B T	B1 mm	D mm	D2 mm	JJ mm	M mm	N mm	XX mm	Weight (steel) g/1 piece	O-Lok®		PN (bar)	
													Steel	Stainless Steel	S	SS
6		1/4	M 10×1.0	9/16-18	14	5	3	14	22	31	21	50	<b>4M10C87OMLOS</b>	<b>4M10C87OMLOSS</b>	420	420
6		1/4	M 12×1.5	9/16-18	17	5	4	14	22	33	22	52	<b>4M12C87OMLOS</b>	<b>4M12C87OMLOSS</b>	420	420
6		1/4	M 14×1.5	9/16-18	19	5	6	14	24	36	25	55	<b>4M14C87OMLOS</b>	<b>4M14C87OMLOSS</b>	420	420
8, 10		5/16, 3/8	M 12×1.5	11/16-16	17	7	4	19	25	36	25	60	<b>6M12C87OMLOS</b>	<b>6M12C87OMLOSS</b>	420	420
8, 10		5/16, 3/8	M 14×1.5	11/16-16	19	7	6	19	25	36	25	60	<b>6M14C87OMLOS</b>	<b>6M14C87OMLOSS</b>	420	420
8, 10		5/16, 3/8	M 16×1.5	11/16-16	22	7	7	19	25	38	27	65	<b>6M16C87OMLOS</b>	<b>6M16C87OMLOSS</b>	420	420
12		1/2	M 14×1.5	13/16-16	19	10	6	19	28	36	25	150	<b>8M14C87OMLOS</b>	<b>8M14C87OMLOSS</b>	420	420
12		1/2	M 16×1.5	13/16-16	22	10	7	19	28	38	27	92	<b>8M16C87OMLOS</b>	<b>8M16C87OMLOSS</b>	420	420
12		1/2	M 18×1.5	13/16-16	24	10	9	19	28	41	27	161	<b>8M18C87OMLOS</b>	<b>8M18C87OMLOSS</b>	420	420
12		1/2	M 22×1.5	13/16-16	27	10	12	27	31	49	35	200	<b>8M22C87OMLOS</b>	<b>8M22C87OMLOSS</b>	420	420
14, 15, 16		5/8	M 18×1.5	1-14	24	13	9	27	33	48	36	190	<b>10M18C87OMLOS</b>	<b>10M18C87OMLOSS</b>	420	420
14, 15, 16		5/8	M 22×1.5	1-14	27	13	12	27	33	49	34	214	<b>10M22C87OMLOS</b>	<b>10M22C87OMLOSS</b>	420	420
18, 20		3/4	M 22×1.5	1 3/16-12	27	16	12	30	37	50	35	390	<b>12M22C87OMLOS</b>	<b>12M22C87OMLOSS</b>	420	420
18, 20		3/4	M 27×2.0	1 3/16-12	32	16	15	30	37	56	40	440	<b>12M27C87OMLOS</b>	<b>12M27C87OMLOSS</b>	420	420
22, 25		1	M 33×2.0	1 7/16-12	41	21	20	36	42	59	43	501	<b>16M33C87OMLOS</b>	<b>16M33C87OMLOSS</b>	420	420
28, 30, 32		1 1/4	M 33×2.0	1 11/16-12	41	26	20	41	45	62	46	530	<b>20M33C87OMLOS</b>	<b>20M33C87OMLOSS</b>	350	280
28, 30, 32		1 1/4	M 42×2.0	1 11/16-12	50	26	26	41	45	63	46	561	<b>20M42C87OMLOS</b>	<b>20M42C87OMLOSS</b>	280	280
35, 38		1 1/2	M 48×2.0	2-12	55	32	32	50	49	72	53	684	<b>24M48C87OMLOS</b>	<b>24M48C87OMLOSS</b>	280	280

Product delivered with NBR TRAP seal. Replacement of TRAP seal is with a standard NBR O-ring – see page J73.

Part numbers shown are part of our current manufacturing programme.

Imperial and metric parts may vary in hexagon dimensions.

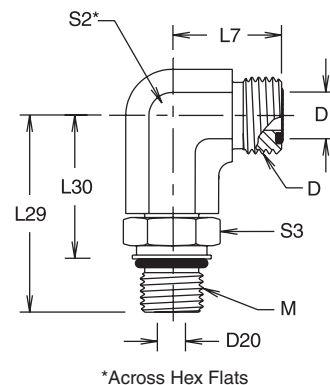
$$\frac{\text{PN (bar)}}{10} = \text{PN (MPa)}$$

Pressure ratings – PN shown, apply to Steel and Stainless Steel versions of the product.



## CC87OMLO Extended male stud elbow

O-Lok® ORFS tube end / Male metric thread – O-ring (ISO 6149-2)  
 SAE 52M1587 ISO 8434-3 SDEL



Tube O.D.		Thread metric M	Thread UN/UNF-2A D	D1 mm	D20 mm	L7 mm	L29 mm	L30 mm	S2 mm	S3 mm	Weight (steel) g/1 piece	O-Lok® Steel	PN (bar)
mm	in.												
6	1/4	M 12×1.5	9/16-18	5	4	21	56	45	14	17	44	4M12CC87OMLOS	420
8, 10	5/16, 3/8	M 14×1.5	11/16-16	7	6	25	56	45	17	19	51	6M14CC87OMLOS	420
8, 10	5/16, 3/8	M 16×1.5	11/16-16	7	7	25	67	54	17	22	51	6M16CC87OMLOS	420
12	1/2	M 18×1.5	13/16-16	10	9	28	75	61	19	24	150	8M18CC87OMLOS	420
12	1/2	M 22×1.5	13/16-16	10	12	31	88	73	27	27	150	8M22CC87OMLOS	420
14, 15, 16	5/8	M 22×1.5	1-14	13	12	34	88	73	27	27	160	10M22CC87OMLOS	420
18, 20	3/4	M 27×2.0	1 3/16-12	16	15	38	101	82	27	32	290	12M27CC87OMLOS	420
22, 25	1	M 33×2.0	1 7/16-12	21	20	42	115	96	36	41	480	16M33CC87OMLOS	420
28, 30, 32	1 1/4	M 42×2.0	1 11/16-12	26	26	45	127	108	41	50	630	20M42CC87OMLOS	280

Product delivered with NBR TRAP seal. Replacement of TRAP seal is with a standard NBR O-ring – see page J73.

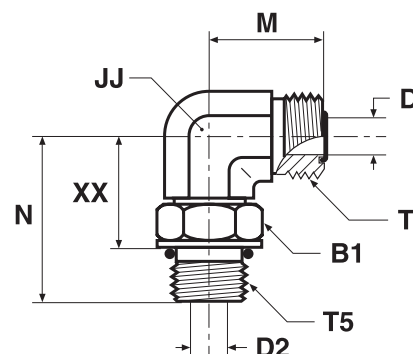
Part numbers shown are part of our current manufacturing programme.

Imperial and metric parts may vary in hexagon dimensions.

$$\frac{\text{PN (bar)}}{10} = \text{PN (MPa)}$$

## C50MLO Male stud elbow

O-Lok® ORFS tube end / Male UN/UNF thread – O-ring (ISO 11926)  
SAE 520220



Tube O.D.		Thread UN/UNF-2A T5	Thread UN/UNF-2A T	B1	D	D2	JJ	M	N	XX	Weight (steel)	O-Lok® Steel	O-Lok® Stainless Steel	PN (bar)	
mm	in.			mm	mm	mm	mm	mm	mm	mm	g/1 piece			S	SS
6	1/4	7/16-20	9/16-18	16	5	5	14	22	33	22	53	<b>4 C50LO-S</b>	<b>4C50MLOSS</b>	420	420
6	1/4	9/16-18	9/16-18	19	5	8	19	24	37	25	66	<b>4-6C50MLOS</b>	<b>4-6C50MLOSS</b>	420	420
6	1/4	3/4-16	9/16-18	24	5	10	19	25	41	27	67	<b>4-8 C50LO-S</b>	<b>4-8C50MLOSS</b>	420	420
8, 10	5/16, 3/8	9/16-18	11/16-16	19	7	8	19	25	37	25	68	<b>6C50MLOS</b>	<b>6C50MLOSS</b>	420	420
8, 10	5/16, 3/8	7/16-20	11/16-16	16	7	5	19	25	35	24	57	<b>6-4 C50LO-S</b>	<b>6-4C50MLOSS</b>	420	420
8, 10	5/16, 3/8	3/4-16	11/16-16	24	7	10	19	27	41	27	105	<b>6-8C50MLOS</b>	<b>6-8C50MLOSS</b>	420	420
8, 10	5/16, 3/8	7/8-14	11/16-16	27	7	12	22	29	50	34	196	<b>6-10 C50LO-S</b>	<b>6-10C50MLOSS</b>	420	420
8, 10	5/16, 3/8	1 1/16-12	11/16-16	36	7	16	27	33	55	37	250	<b>6-12 C50LO-S</b>	<b>6-12C50MLOSS</b>	420	420
12	1/2	3/4-16	13/16-16	24	10	10	19	28	41	27	164	<b>8C50MLOS</b>	<b>8C50MLOSS</b>	420	420
12	1/2	9/16-18	13/16-16	19	10	7	19	28	37	25	81	<b>8-6 C50LO-S</b>	<b>8-6C50MLOSS</b>	420	420
12	1/2	7/8-14	13/16-16	27	10	13	27	31	50	34	187	<b>8-10C50MLOS</b>	<b>8-10C50MLOSS</b>	420	420
12	1/2	1 1/16-12	13/16-16	36	10	15	30	36	55	37	201	<b>8-12 C50LO-S</b>	<b>8-12C50MLOSS</b>	420	420
14, 15, 16	5/8	7/8-14	1-14	27	13	13	27	33	50	34	214	<b>10C50MLOS</b>	<b>10C50MLOSS</b>	420	420
14, 15, 16	5/8	3/4-16	1-14	24	13	10	27	33	46	32	175	<b>10-8 C50LO-S</b>	<b>10-8C50MLOSS</b>	420	420
14, 15, 16	5/8	1 1/16-12	1-14	35	13	16	30	36	55	37	248	<b>10-12 C50LO-S</b>	<b>10-12C50MLOSS</b>	420	420
18, 20	3/4	1 1/16-12	1 3/16-12	36	16	16	30	37	55	37	442	<b>12C50MLOS</b>	<b>12C50MLOSS</b>	420	420
18, 20	3/4	3/4-16	1 3/16-12	24	16	10	30	37	47	33	325	<b>12-8C50MLOS</b>	<b>12-8C50MLOSS</b>	420	420
18, 20	3/4	7/8-14	1 3/16-12	27	16	13	30	37	51	35	296	<b>12-10C50MLOS</b>	<b>12-10C50MLOSS</b>	420	420
18, 20	3/4	1 5/16-12	1 3/16-12	41	16	22	36	41	60	41	346	<b>12-16 C50LO-S</b>	<b>12-16C50MLOSS</b>	380	380
22, 25	1	1 5/16-12	1 7/16-12	41	21	21	37	42	60	38	502	<b>16 C50LO-S</b>	<b>16C50MLOSS</b>	380	380
22, 25	1	1 1/16-12	1 7/16-12	35	21	16	37	42	59	40	473	<b>16-12 C50LO-S</b>	<b>16-12C50MLOSS</b>	420	420
22, 25	1	1 5/8-12	1 7/16-12	48	21	26	41	45	62	44	580	<b>16-20 C50LO-S</b>	<b>16-20C50MLOSS</b>	280	280
28, 30, 32	1 1/4	1 5/8-12	1 11/16-12	48	26	26	41	45	62	44	563	<b>20 C50LO-S</b>	<b>20C50MLOSS</b>	280	280
28, 30, 32	1 1/4	1 5/16-12	1 11/16-12	41	26	22	41	45	62	43	563	<b>20-16C50MLOS</b>	<b>20-16C50MLOSS</b>	380	280
28, 30, 32	1 1/4	1 7/8-12	1 11/16-12	54	26	32	48	49	66	47	764	<b>20-24 C50LO-S</b>	<b>20-24C50MLOSS</b>	280	280
35, 38	1 1/2	1 7/8-12	2-12	54	32	32	48	49	66	47	689	<b>24 C50LO-S</b>	<b>24C50MLOSS</b>	280	280
35, 38	1 1/2	1 5/8-12	2-12	48	32	26	48	49	66	47	644	<b>24-20 C50LO-S</b>	<b>24-20C50MLOSS</b>	280	280
50	2	2 1/2-12	2 1/2-12	70	45	40	64	70	78	59	2200	<b>32 C50LO-S</b>	<b>32C50MLOSS</b>	170	170

Product delivered with NBR TRAP seal. Replacement of TRAP seal is with a standard NBR O-ring – see page J73.

Part numbers shown are part of our current manufacturing programme.

Imperial and metric parts may vary in hexagon dimensions.

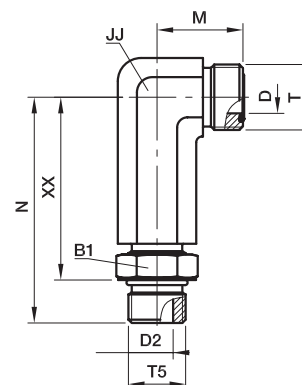
$$\frac{\text{PN (bar)}}{10} = \text{PN (MPa)}$$

Pressure ratings – PN shown, apply to Steel and Stainless Steel versions of the product.



## CC5OLO Extended male stud elbow

O-Lok® ORFS tube end / Male UN/UNF thread – O-ring (ISO 11926)  
SAE 521520



Tube O.D.		Thread UN/UNF-2A T5	Thread UN/UNF-2A T	B1	D	D2	JJ	M	N	XX	Weight (steel) g/1 piece	O-Lok® Steel	PN (bar)
mm	in.			mm	mm	mm	mm	mm	mm	mm			
6	1/4	7/16-20	9/16-18	16	5	5	14	22	57	46	44	<b>4 CC5OLO-S</b>	420
8, 10	5/16, 3/8	9/16-18	11/16-16	19	7	7	19	25	66	54	51	<b>6 CC5OLO-S</b>	420
12	1/2	3/4-16	13/16-16	24	10	10	19	28	75	61	146	<b>8 CC5OLO-S</b>	420
14, 15, 16	5/8	7/8-14	1-14	27	13	13	27	33	90	73	159	<b>10 CC5OLO-S</b>	420
18, 20	3/4	1 1/16-12	1 3/16-12	36	16	16	30	37	101	82	291	<b>12 CC5OLO-S</b>	420
22, 25	1	1 5/16-12	1 7/16-12	38	21	21	36	42	115	96	481	<b>16 CC5OLO-S</b>	380

Product delivered with NBR TRAP seal. Replacement of TRAP seal is with a standard NBR O-ring – see page J73.

Part numbers shown are part of our current manufacturing programme.

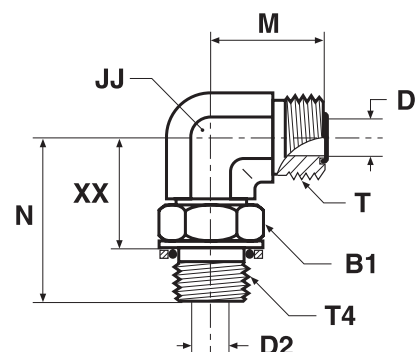
Imperial and metric parts may vary in hexagon dimensions.

$$\frac{\text{PN (bar)}}{10} = \text{PN (MPa)}$$



## C4OMLO Male stud elbow

O-Lok® ORFS tube end / Male BSPP thread O-ring + retaining ring (ISO 1179)



Tube O.D.		Thread BSPP T4	Thread UN/UNF-2A T	B1 mm	D mm	D2 mm	JJ mm	M mm	N mm	XX mm	Weight (steel) g/1 piece	O-Lok® Steel	O-Lok® Stainless Steel	PN (bar)	
mm	in.													S	SS
6	1/4	1/8-28	9/16-18	14	5	4	14	22	30	22	49	<b>4C4OMLOS</b>	<b>4C4OMLOSS</b>	250	250
6	1/4	1/4-19	9/16-18	19	5	8	19	24	36	25	93	<b>4-4C4OMLOS</b>	<b>4-4C4OMLOSS</b>	250	200
6	1/4	3/8-19	9/16-18	22	5	10	19	25	38	27	99	<b>4-6C4OMLOS</b>	<b>4-6C4OMLOSS</b>	250	200
8, 10	5/16, 3/8	1/4-19	11/16-16	19	7	8	19	25	36	25	97	<b>6C4OMLOS</b>	<b>6C4OMLOSS</b>	250	200
8, 10	5/16, 3/8	1/8-28	11/16-16	14	7	5	19	25	32	24	62	<b>6-2C4OMLOS</b>	<b>6-2C4OMLOSS</b>	250	200
8, 10	5/16, 3/8	3/8-19	11/16-16	22	7	10	19	27	38	27	106	<b>6-6C4OMLOS</b>	<b>6-6C4OMLOSS</b>	250	200
8, 10	5/16, 3/8	1/2-14	11/16-16	27	7	13	27	29	49	34	120	<b>6-8C4OMLOS</b>	<b>6-8C4OMLOSS</b>	250	200
12	1/2	3/8-19	13/16-16	22	10	10	19	28	38	27	108	<b>8C4OMLOS</b>	<b>8C4OMLOSS</b>	250	200
12	1/2	1/4-19	13/16-16	19	10	8	19	28	36	25	99	<b>8-4C4OMLOS</b>	<b>8-4C4OMLOSS</b>	250	200
12	1/2	1/2-14	13/16-16	27	10	12	27	31	49	34	239	<b>8-8C4OMLOS</b>	<b>8-8C4OMLOSS</b>	250	200
12	1/2	3/4-14	13/16-16	36	10	16	30	34	52	37	258	<b>8-12C4OMLOS</b>	<b>8-12C4OMLOSS</b>	250	200
14, 15, 16	5/8	1/2-14	1-14	27	13	12	27	33	49	34	274	<b>10C4OMLOS</b>	<b>10C4OMLOSS</b>	250	200
14, 15, 16	5/8	3/8-19	1-14	22	13	10	27	33	43	31	235	<b>10-6C4OMLOS</b>	<b>10-6C4OMLOSS</b>	250	200
14, 15, 16	5/8	3/4-14	1-14	36	13	16	30	36	52	37	352	<b>10-12C4OMLOS</b>	<b>10-12C4OMLOSS</b>	250	200
14, 15, 16	5/8	1-11	1-14	41	13	22	36	40	58	41	382	<b>10-16C4OMLOS</b>	<b>10-16C4OMLOSS</b>	250	200
18, 20	3/4	3/4-14	1 3/16-12	36	16	16	30	37	52	37	355	<b>12C4OMLOS</b>	<b>12C4OMLOSS</b>	250	200
18, 20	3/4	1/2-14	1 3/16-12	27	16	12	30	37	50	35	297	<b>12-8C4OMLOS</b>	<b>12-8C4OMLOSS</b>	250	200
18, 20	3/4	1-11	1 3/16-12	41	16	22	36	41	58	41	362	<b>12-16C4OMLOS</b>	<b>12-16C4OMLOSS</b>	250	200
22, 25	1	1-11	1 7/16-12	41	21	22	36	42	58	41	551	<b>16C4OMLOS</b>	<b>16C4OMLOSS</b>	250	200
22, 25	1	3/4-14	1 7/16-12	36	21	16	36	42	55	41	533	<b>16-12C4OMLOS</b>	<b>16-12C4OMLOSS</b>	250	200
22, 25	1	1 1/4-11	1 7/16-12	50	21	28	41	45	61	44	758	<b>16-20C4OMLOS</b>	<b>16-20C4OMLOSS</b>	210	160
28, 30, 32	1 1/4	1 1/4-11	1 11/16-12	50	26	28	41	45	61	44	752	<b>20C4OMLOS</b>	<b>20C4OMLOSS</b>	210	160
28, 30, 32	1 1/4	1-11	1 11/16-12	41	26	22	41	45	61	44	712	<b>20-16C4OMLOS</b>	<b>20-16C4OMLOSS</b>	250	200
28, 30, 32	1 1/4	1 1/2-11	1 11/16-12	55	26	33	50	49	65	47	821	<b>20-24C4OMLOS</b>	<b>20-24C4OMLOSS</b>	140	140
35, 38	1 1/2	1 1/2-11	2-12	55	32	33	50	49	65	47	953	<b>24C4OMLOS</b>	<b>24C4OMLOSS</b>	140	140

Product delivered with NBR TRAP seal. Replacement of TRAP seal is with a standard NBR O-ring – see page J73.

Part numbers shown are part of our current manufacturing programme.

Imperial and metric parts may vary in hexagon dimensions.

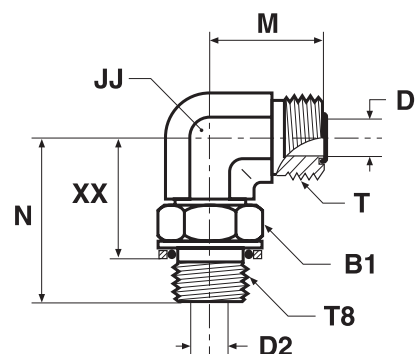
$$\frac{\text{PN (bar)}}{10} = \text{PN (MPa)}$$

Pressure ratings – PN shown, apply to Steel and Stainless Steel versions of the product.



## C8OMLO Male stud elbow

O-Lok® ORFS tube end / Male metric thread – O-ring + retaining ring



Tube O.D.		Thread metric T8	Thread UN/UNF-2A T	B1 mm	D mm	D2 mm	JJ mm	M mm	N mm	XX mm	Weight (steel) g/1 piece	O-Lok® Steel	PN (bar)
mm	in.												
6	1/4	M 12×1.5	9/16-18	17	5	4	14	22	33	23	52	<b>4M12C8OMLOS</b>	250
6	1/4	M 14×1.5	9/16-18	17	5	6	14	24	36	24	58	<b>4M14C8OMLOS</b>	250
8, 10	5/16, 3/8	M 14×1.5	11/16-16	17	7	6	19	25	36	24	62	<b>6M14C8OMLOS</b>	250
8, 10	5/16, 3/8	M 16×1.5	11/16-16	19	7	7	19	25	38	26	65	<b>6M16C8OMLOS</b>	250
12	1/2	M 16×1.5	13/16-16	19	10	7	19	28	38	26	82	<b>8M16C8OMLOS</b>	250
12	1/2	M 18×1.5	13/16-16	22	10	9	19	28	41	29	161	<b>8M18C8OMLOS</b>	250
14, 15, 16	5/8	M 18×1.5	1-14	22	13	9	27	33	48	33	185	<b>10M18C8OMLOS</b>	250
14, 15, 16	5/8	M 22×1.5	1-14	27	13	12	27	33	49	35	214	<b>10M22C8OMLOS</b>	250
18, 20	3/4	M 27×2.0	1 3/16-12	32	16	15	30	37	56	39	440	<b>12M27C8OMLOS</b>	250
22, 25	1	M 33×2.0	1 7/16-12	38	21	20	36	42	59	43	501	<b>16M33C8OMLOS</b>	140
28, 30, 32	1 1/4	M 42×2.0	1 11/16-12	50	26	26	41	45	63	46	561	<b>20M42C8OMLOS</b>	140
35, 38	1 1/2	M 48×2.0	2-12	55	32	32	50	49	72	49	684	<b>24M48C8OMLOS</b>	140

Product delivered with NBR TRAP seal. Replacement of TRAP seal is with a standard NBR O-ring – see page J73.

Part numbers shown are part of our current manufacturing programme.

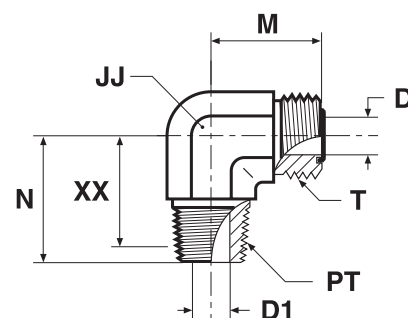
Imperial and metric parts may vary in hexagon dimensions.

$$\frac{\text{PN (bar)}}{10} = \text{PN (MPa)}$$

## CLO Male stud elbow

O-Lok® ORFS tube end / Male NPTF\* thread (SAE J476)

\*Stainless Steel = NPT to prevent galling



Tube O.D.		Thread NPTF PT	Thread UN/UNF-2A T	D mm	D1 mm	JJ mm	M mm	N mm	XX mm	Weight (steel) g/1 piece	O-Lok® Steel	O-Lok® Stainless Steel	PN (bar)	
mm	in.												S	SS
6	1/4	1/8-27	9/16-18	5	5	14	22	20	15	39	<b>4 CLO-S</b>	<b>4 CLO-SS</b>	420	420
6	1/4	1/4-18	9/16-18	5	7	14	22	29	20	50	<b>4-4 CLO-S</b>	<b>4-4 CLO-SS</b>	420	420
8, 10	5/16, 3/8	1/4-18	11/16-16	7	7	19	25	28	19	75	<b>6 CLO-S</b>	<b>6 CLO-SS</b>	420	420
8, 10	5/16, 3/8	3/8-18	11/16-16	7	10	19	25	31	22	81	<b>6-6 CLO-S</b>	<b>6-6 CLO-SS</b>	420	420
8, 10	5/16, 3/8	1/2-14	11/16-16	7	13	22	29	37	26	84	<b>6-8 CLO-S</b>	<b>6-8 CLO-SS</b>	420	420
12	1/2	3/8-18	13/16-16	10	10	19	28	31	22	89	<b>8 CLO-S</b>	<b>8 CLO-SS</b>	420	420
12	1/2	1/2-14	13/16-16	10	13	22	28	37	26	125	<b>8-8 CLO-S</b>	<b>8-8 CLO-SS</b>	420	420
12	1/2	3/4-14	13/16-16	10	18	27	34	40	28	168	<b>8-12 CLO-S</b>	<b>8-12 CLO-SS</b>	280	280
14, 15, 16	5/8	1/2-14	1-14	13	13	27	33	37	26	154	<b>10 CLO-S</b>	<b>10 CLO-SS</b>	420	420
14, 15, 16	5/8	3/4-14	1-14	13	18	30	36	40	28	237	<b>10-12 CLO-S</b>	<b>10-12 CLO-SS</b>	280	280
18, 20	3/4	3/4-14	1 3/16-12	16	18	30	37	40	28	246	<b>12 CLO-S</b>	<b>12 CLO-SS</b>	280	280
18, 20	3/4	1/2-14	1 3/16-12	16	13	30	37	40	29	257	<b>12-8 CLO-S</b>	<b>12-8 CLO-SS</b>	420	420
18, 20	3/4	1-11.5	1 3/16-12	16	24	33	41	50	36	363	<b>12-16 CLO-S</b>	<b>12-16 CLO-SS</b>	210	210
22, 25	1	1-11.5	1 7/16-12	21	24	37	42	50	36	387	<b>16 CLO-S</b>	<b>16 CLO-SS</b>	210	210
22, 25	1	3/4-14	1 7/16-12	21	18	37	42	45	33	401	<b>16-12 CLO-S</b>	<b>16-12 CLO-SS</b>	280	280
28, 30, 32	1 1/4	1 1/4-11.5	1 11/16-12	26	32	41	45	61	46	469	<b>20 CLO-S</b>	<b>20 CLO-SS</b>	175	175
35, 38	1 1/2	1 1/2-11.5	2-12	32	38	48	49	67	52	603	<b>24 CLO-S</b>	<b>24 CLO-SS</b>	175	175

Product delivered with NBR TRAP seal. Replacement of TRAP seal is with a standard NBR O-ring – see page J73.

Part numbers shown are part of our current manufacturing programme.

Imperial and metric parts may vary in hexagon dimensions.

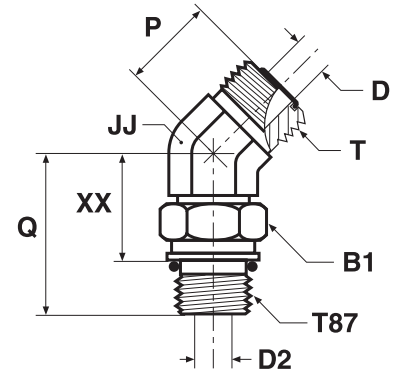
$$\frac{\text{PN (bar)}}{10} = \text{PN (MPa)}$$

Pressure ratings – PN shown, apply to Steel and Stainless Steel versions of the product.



## V87OMLO 45° male stud elbow

O-Lok® ORFS tube end / Male metric thread – O-ring (ISO 6149-2)  
 SAE 52M0387 ISO 8434-3 SDE45



Tube O.D.	Thread metric T87	Thread UN/UNF-2A T	B1 mm	D mm	D2 mm	JJ mm	P mm	Q mm	XX mm	Weight (steel) g/1 piece	O-Lok®		PN (bar)		
											Steel	Stainless Steel	S	SS	
6	1/4	M 12×1.5	9/16-18	17	5	4	14	16	30	19	44	<b>4M12V87OMLOS</b>	<b>4M12V87OMLOSS</b>	420	420
8, 10	5/16, 3/8	M 16×1.5	11/16-16	22	7	7	19	19	33	19	82	<b>6M16V87OMLOS</b>	<b>6M16V87OMLOSS</b>	420	420
12	1/2	M 18×1.5	13/16-16	24	10	9	19	20	37	23	110	<b>8M18V87OMLOS</b>	<b>8M18V87OMLOSS</b>	420	420
14, 15, 16	5/8	M 22×1.5	1-14	27	13	12	27	23	43	29	190	<b>10M22V87OMLOS</b>	<b>10M22V87OMLOSS</b>	420	420
18, 20	3/4	M 27×2.0	1 3/16-12	32	16	15	30	26	50	32	288	<b>12M27V87OMLOS</b>	<b>12M27V87OMLOSS</b>	420	420
22, 25	1	M 33×2.0	1 7/16-12	41	21	20	36	30	52	34	300	<b>16M33V87OMLOS</b>	<b>16M33V87OMLOSS</b>	420	420
28, 30, 32	1 1/4	M 42×2.0	1 11/16-12	50	26	26	41	32	54	35	444	<b>20M42V87OMLOS</b>	<b>20M42V87OMLOSS</b>	280	280
35, 38	1 1/2	M 48×2.0	2-12	55	32	32	50	37	56	35	569	<b>24M48V87OMLOS</b>		280	—

Product delivered with NBR TRAP seal. Replacement of TRAP seal is with a standard NBR O-ring – see page J73.

Part numbers shown are part of our current manufacturing programme.

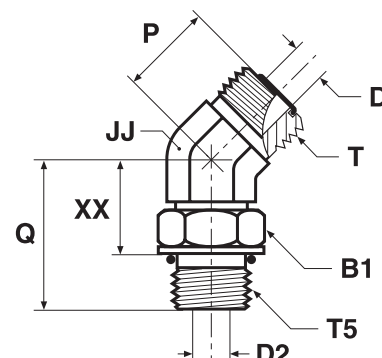
Imperial and metric parts may vary in hexagon dimensions.

$$\frac{\text{PN (bar)}}{10} = \text{PN (MPa)}$$

Pressure ratings – PN shown, apply to Steel and Stainless Steel versions of the product.

## V50MLO 45° male stud elbow

O-Lok® ORFS tube end / Adjustable UN/UNF thread O-ring (ISO 11926)  
SAE 520320



Tube O.D.		Thread UN/UNF-2A T5	Thread UN/UNF-2A T	B1 mm	D mm	D2 mm	JJ mm	P mm	Q mm	XX mm	Weight (steel) g/1 piece	O-Lok® Steel	O-Lok® Stainless Steel	PN (bar)	
mm	in.													S	SS
6	1/4	7/16-20	9/16-18	17	5	5	14	16	30	19	45	<b>4V50MLOS</b>	<b>4V50MLOSS</b>	630	420
6	1/4	9/16-18	9/16-18	19	5	8	19	17	33	21	76	<b>4-6 V50LO-S</b>	<b>4-6V50MLOSS</b>	630	420
8, 10	5/16, 3/8	9/16-18	11/16-16	19	7	8	19	19	33	21	83	<b>6 V50LO-S</b>	<b>6V50MLOSS</b>	630	420
8, 10	5/16, 3/8	7/16-20	11/16-16	16	7	5	19	19	31	20	64	<b>6-4 V50LO-S</b>	<b>6-4V50MLOSS</b>	630	420
8, 10	5/16, 3/8	3/4-16	11/16-16	24	7	10	19	19	36	23	96	<b>6-8 V50LO-S</b>	<b>6-8V50MLOSS</b>	630	420
12	1/2	3/4-16	13/16-16	24	10	10	19	20	36	23	117	<b>8V50MLOS</b>	<b>8V50MLOSS</b>	630	420
12	1/2	9/16-18	13/16-16	19	10	7	19	20	32	20	71	<b>8-6 V50LO-S</b>	<b>8-6V50MLOSS</b>	630	420
12	1/2	7/8-14	13/16-16	27	10	13	27	21	45	29	147	<b>8-10 V50LO-S</b>	<b>8-10V50MLOSS</b>	420	420
14, 15, 16	5/8	7/8-14	1-14	27	13	13	27	23	45	29	194	<b>10 V50LO-S</b>	<b>10V50MLOSS</b>	420	420
14, 15, 16	5/8	3/4-16	1-14	24	12	10	27	23	40	27	192	<b>10-8 V50LO-S</b>	<b>10-8V50MLOSS</b>	420	420
14, 15, 16	5/8	1 1/16-12	1-14	36	12	16	30	24	50	32	207	<b>10-12 V50LO-S</b>	<b>10-12V50MLOSS</b>	420	420
18, 20	3/4	1 1/16-12	1 3/16-12	35	16	16	30	26	50	32	294	<b>12 V50LO-S</b>	<b>12V50MLOSS</b>	420	420
18, 20	3/4	7/8-14	1 3/16-12	27	16	12	30	26	46	30	219	<b>12-10 V50LO-S</b>	<b>12-10V50MLOSS</b>	420	420
18, 20	3/4	1 5/16-12	1 3/16-12	41	16	21	37	30	52	34	322	<b>12-16 V50LO-S</b>	<b>12-16V50MLOSS</b>	420	380
22, 25	1	1 5/16-12	1 7/16-12	38	21	21	37	30	52	34	394	<b>16 V50LO-S</b>	<b>16V50MLOSS</b>	420	380
22, 25	1	1 1/16-12	1 7/16-12	36	21	16	36	30	52	33	337	<b>16-12V50MLOS</b>	<b>16-12V50MLOSS</b>	420	420
22, 25	1	1 5/8-12	1 7/16-12	48	21	31	41	32	54	35	511	<b>16-20 V50LO-S</b>	<b>16-20V50MLOSS</b>	420	280
28, 30, 32	1 1/4	1 5/8-12	1 11/16-12	48	26	26	41	32	54	35	447	<b>20 V50LO-S</b>	<b>20V50MLOSS</b>	350	280
35, 38	1 1/2	1 7/8-12	2-12	54	32	32	48	37	54	35	571	<b>24 V50LO-S</b>	<b>24V50MLOSS</b>	280	280

Product delivered with NBR TRAP seal. Replacement of TRAP seal is with a standard NBR O-ring – see page J73.

Part numbers shown are part of our current manufacturing programme.

Imperial and metric parts may vary in hexagon dimensions.

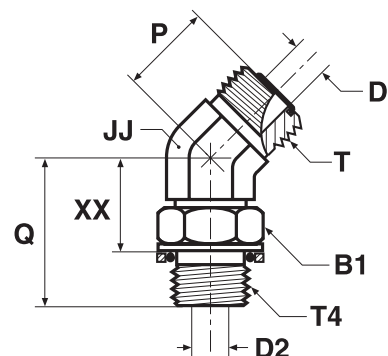
$$\frac{\text{PN (bar)}}{10} = \text{PN (MPa)}$$

Pressure ratings – PN shown, apply to Steel and Stainless Steel versions of the product.



## V4OMLO 45° male stud elbow

O-Lok® ORFS tube end / Adjustable BSPP thread O-ring + retaining ring (ISO 1179)



Tube O.D.		Thread BSPP T4	Thread UN/UNF-2A T	B1 mm	D mm	D2 mm	JJ mm	P mm	Q mm	XX mm	Weight (steel) g/1 piece	O-Lok®		PN (bar)	
mm	in.											Steel	Stainless Steel	S	SS
6	1/4	1/8-28	9/16-18	14	5	4	14	16	28	19	38	<b>4V4OMLOS</b>	<b>4V4OMLOSS</b>	250	250
6	1/4	1/4-19	9/16-18	19	5	8	19	17	33	21	43	<b>4-4V4OMLOS</b>	<b>4-4V4OMLOSS</b>	250	200
8, 10	5/16, 3/8	1/4-19	11/16-16	19	7	8	19	19	32	21	83	<b>6V4OMLOS</b>	<b>6V4OMLOSS</b>	250	200
8, 10	5/16, 3/8	3/8-19	11/16-16	22	7	10	19	19	34	23	95	<b>6-6V4OMLOS</b>	<b>6-6V4OMLOSS</b>	250	200
8, 10	5/16, 3/8	1/2-14	11/16-16	27	7	12	27	19	43	28	107	<b>6-8V4OMLOS</b>	<b>6-8V4OMLOSS</b>	250	200
12	1/2	3/8-19	13/16-16	22	10	10	19	20	34	23	117	<b>8V4OMLOS</b>	<b>8V4OMLOSS</b>	250	200
14, 15, 16	5/8	1/2-14	1-14	27	13	12	27	23	43	29	191	<b>10V4OMLOS</b>	<b>10V4OMLOSS</b>	250	200
14, 15, 16	5/8	3/4-14	1-14	36	13	16	30	24	46	31	227	<b>10-12V4OMLOS</b>	<b>10-12V4OMLOSS</b>	250	200
18, 20	3/4	3/4-14	1 3/16-12	36	16	16	30	26	46	31	294	<b>12V4OMLOS</b>	<b>12V4OMLOSS</b>	250	200
18, 20	3/4	1-11	1 3/16-12	41	16	22	36	30	51	34	325	<b>12-16V4OMLOS</b>	<b>12-16V4OMLOSS</b>	250	200
22, 25	1	1-11	1 7/16-12	41	21	22	36	30	51	34	394	<b>16V4OMLOS</b>	<b>16V4OMLOSS</b>	250	200
28, 30, 32	1 1/4	1 1/4-11	1 11/16-12	50	26	28	41	32	52	35	430	<b>20V4OMLOS</b>	<b>20V4OMLOSS</b>	210	160
35, 38	1 1/2	1 1/2-11	2-12	55	32	33	50	37	52	35	551	<b>24V4OMLOS</b>	<b>24V4OMLOSS</b>	140	140

Product delivered with NBR TRAP seal. Replacement of TRAP seal is with a standard NBR O-ring – see page J73.

Part numbers shown are part of our current manufacturing programme.

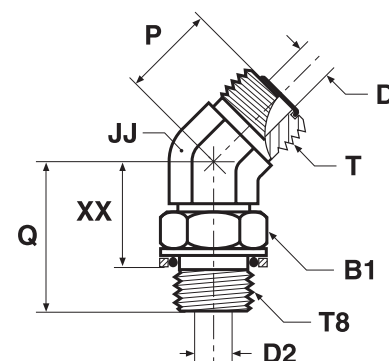
Imperial and metric parts may vary in hexagon dimensions.

$$\frac{\text{PN (bar)}}{10} = \text{PN (MPa)}$$

Pressure ratings – PN shown, apply to Steel and Stainless Steel versions of the product.

## V8OMLO 45° male stud elbow

O-Lok® ORFS tube end / Male metric thread – O-ring + retaining ring



Tube O.D.		Thread metric T8	Thread UN/UNF-2A T	B1 mm	D mm	D2 mm	JJ mm	P mm	Q mm	XX mm	Weight (steel) g/1 piece	O-Lok® Steel	PN (bar)
mm	in.												
6	1/4	M 12×1.5	9/16-18	17	5	4	14	16	30	20	44	4M12V8OMLOS	250
10	3/8	M 16×1.5	11/16-16	19	7	7	19	19	33	22	82	6M16V8OMLOS	250
12	1/2	M 14×1.5	13/16-16	17	10	6	19	20	31	20	92	8M14V8OMLOS	250
12	1/2	M 18×1.5	13/16-16	22	10	9	19	20	37	25	110	8M18V8OMLOS	250
14, 15, 16	5/8	M 18×1.5	1-14	27	13	9	27	24	43	30	160	10M18V8OMLOS	250
14, 15, 16	5/8	M 22×1.5	1-14	27	13	12	27	23	43	30	190	10M22V8OMLOS	250
18, 20	3/4	M 27×2.0	1 3/16-12	32	16	15	30	26	50	34	288	12M27V8OMLOS	250
22, 25	1	M 33×2.0	1 7/16-12	38	21	20	36	30	52	36	300	16M33V8OMLOS	140
28, 30, 32	1 1/4	M 42×2.0	1 11/16-12	50	26	26	41	32	54	37	444	20M42V8OMLOS	140
35, 38	1 1/2	M 48×2.0	2-12	55	32	32	50	37	56	37	568	24M48V8OMLOS	140

Product delivered with NBR TRAP seal. Replacement of TRAP seal is with a standard NBR O-ring – see page J73.

Part numbers shown are part of our current manufacturing programme.

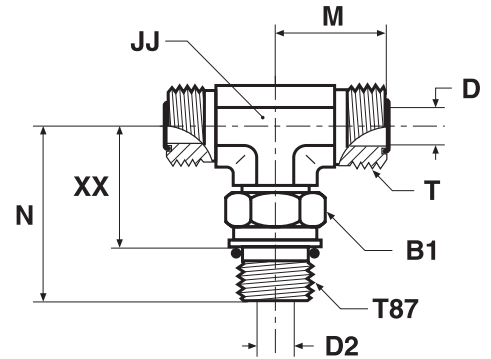
Imperial and metric parts may vary in hexagon dimensions.

$$\frac{\text{PN (bar)}}{10} = \text{PN (MPa)}$$

J

## S87OMLO Male stud branch tee

O-Lok® ORFS tube ends / Adjustable metric thread – O-ring (ISO 6149)  
 SAE 52M0489 ISO 8434-3 SDBT



Tube O.D. mm	Tube O.D. in.	Thread metric T87	Thread UN/UNF-2A T	B1 mm	D mm	D2 mm	JJ mm	M mm	N mm	XX mm	Weight (steel) g/1 piece	O-Lok®		PN (bar)	
												Steel	Stainless Steel	S	SS
6	1/4	M 12×1.5	9/16-18	17	5	4	14	22	33	22	66	<b>4M12S87OMLOS</b>	<b>4M12S87OMLOSS</b>	420	420
8, 10	5/16, 3/8	M 16×1.5	11/16-16	22	7	7	19	25	37	27	131	<b>6M16S87OMLOS</b>	<b>6M16S87OMLOSS</b>	420	420
12	1/2	M 18×1.5	13/16-16	24	10	9	19	28	41	27	187	<b>8M18S87OMLOS</b>	<b>8M18S87OMLOSS</b>	420	420
14, 15, 16	5/8	M 22×1.5	1-14	27	13	12	27	33	49	34	283	<b>10M22S87OMLOS</b>	<b>10M22S87OMLOSS</b>	420	420
18, 20	3/4	M 27×2.0	1 3/16-12	32	16	15	30	37	55	37	549	<b>12M27S87OMLOS</b>	<b>12M27S87OMLOSS</b>	420	420
22, 25	1	M 33×2.0	1 7/16-12	41	21	20	36	42	59	41	565	<b>16M33S87OMLOS</b>	<b>16M33S87OMLOSS</b>	420	420
28, 30, 32	1 1/4	M 42×2.0	1 11/16-12	50	26	26	41	45	62	44	824	<b>20M42S87OMLOS</b>	<b>20M42S87OMLOSS</b>	280	280
35, 38	1 1/2	M 48×2.0	2-12	55	32	32	48	49	69	48	940	<b>24M48S87OMLOS</b>		280	—

Product delivered with NBR TRAP seal. Replacement of TRAP seal is with a standard NBR O-ring – see page J73.

Part numbers shown are part of our current manufacturing programme.

Imperial and metric parts may vary in hexagon dimensions.

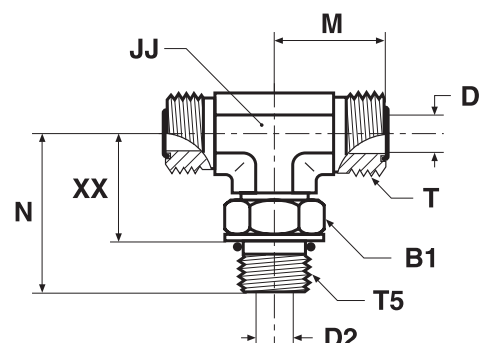
$$\frac{\text{PN (bar)}}{10} = \text{PN (MPa)}$$

Pressure ratings – PN shown, apply to Steel and Stainless Steel versions of the product.



## S50MLO Male stud branch tee

O-Lok® ORFS tube end / Adjustable UN/UNF thread O-ring (ISO 11926)  
SAE 520429



Tube O.D. mm	Tube O.D. in.	Thread UN/UNF-2A T5	Thread UN/UNF-2A T	B1 mm	D mm	D2 mm	JJ mm	M mm	N mm	XX mm	Weight (steel) g/1 piece	O-Lok®		PN (bar)	
												Steel	Stainless Steel	S	SS
6	1/4	7/16-20	9/16-18	16	5	5	14	22	33	22	67	<b>4 S50LO-S</b>	<b>4 S50LO-SS</b>	420	420
8, 10	5/16, 3/8	9/16-18	11/16-16	19	7	8	19	25	37	25	131	<b>6S50MLOS</b>	<b>6 S50LO-SS</b>	420	420
8, 10	5/16, 3/8	3/4-16	11/16-16	24	10	10	19	26	41	27	160	<b>6-6-8 S50LO-S</b>	<b>6-6-8 S50LO-SS</b>	420	420
12	1/2	3/4-16	13/16-16	24	10	10	19	28	41	27	187	<b>8 S50LO-S</b>	<b>8 S50LO-SS</b>	420	420
14, 15, 16	5/8	7/8-14	1-14	27	13	12	27	33	50	34	279	<b>10 S50LO-S</b>	<b>10 S50LO-SS</b>	420	420
18, 20	3/4	1 1/16-12	1 3/16-12	36	16	16	30	37	55	37	441	<b>12 S50LO-S</b>	<b>12 S50LO-SS</b>	420	420
18, 20	3/4	1 5/16-12	1 3/16-12	42	18	21	37	42	60	41	500	<b>12-12-16 S50LO-S</b>	<b>12-12-16 S50LO-SS</b>	380	380
22, 25	1	1 5/16-12	1 7/16-12	41	21	21	37	42	60	41	539	<b>16 S50LO-S</b>	<b>16 S50LO-SS</b>	380	380
28, 30, 32	1 1/4	1 5/8-12	1 11/16-12	48	26	26	41	45	62	44	851	<b>20 S50LO-S</b>		280	—
35, 38	1 1/2	1 7/8-12	2-12	54	32	32	48	49	66	47	942	<b>24 S50LO-S</b>		280	—

Product delivered with NBR TRAP seal. Replacement of TRAP seal is with a standard NBR O-ring – see page J73.

Part numbers shown are part of our current manufacturing programme.

Imperial and metric parts may vary in hexagon dimensions.

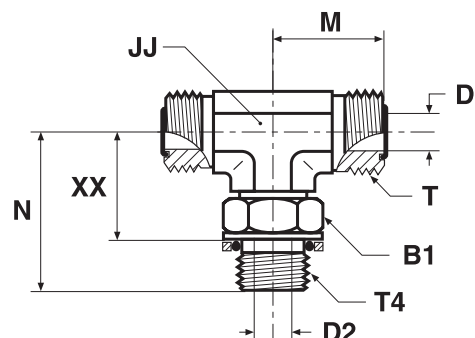
$$\frac{\text{PN (bar)}}{10} = \text{PN (MPa)}$$

Pressure ratings – PN shown, apply to Steel and Stainless Steel versions of the product.



## S4OMLO Male stud branch tee

O-Lok® ORFS tube end / Adjustable BSPP thread O-ring + retaining ring (ISO 1179)



Tube O.D.		Thread BSPP T4	Thread UN/UNF-2A T	B1 mm	D mm	D2 mm	JJ mm	M mm	N mm	XX mm	Weight (steel) g/1 piece	O-Lok®		PN (bar)	
mm	in.											Steel	Stainless Steel	S	SS
6	1/4	1/8-28	9/16-18	14	5	4	14	22	30	22	69	<b>4S4OMLOS</b>	<b>4S4OMLOSS</b>	250	250
6	1/4	1/4-19	9/16-18	19	5	8	19	24	36	25	97	<b>4-4-4S4OMLOS</b>	<b>4-4-4S4OMLOSS</b>	250	200
8, 10	5/16, 3/8	1/4-19	11/16-16	19	7	8	19	25	36	25	127	<b>6S4OMLOS</b>	<b>6S4OMLOSS</b>	250	200
8, 10	5/16, 3/8	3/8-19	11/16-16	22	7	10	19	27	38	27	126	<b>6-6-6S4OMLOS</b>	<b>6-6-6S4OMLOSS</b>	250	200
12	1/2	3/8-19	13/16-16	22	10	10	19	28	38	27	146	<b>8S4OMLOS</b>	<b>8S4OMLOSS</b>	250	200
12	1/2	1/2-14	13/16-16	27	10	12	27	31	49	34	174	<b>8-8-8S4OMLOS</b>	<b>8-8-8S4OMLOSS</b>	250	200
14, 15, 16	5/8	1/2-14	1-14	27	13	12	27	33	49	34	288	<b>10S4OMLOS</b>	<b>10S4OMLOSS</b>	250	200
14, 15, 16	5/8	3/4-14	1-14	36	13	16	30	36	52	37	314	<b>10-10-12S4OMLOS</b>	<b>10-10-12S4OMLOSS</b>	250	200
18, 20	3/4	3/4-14	1 3/16-12	36	16	16	30	37	52	37	531	<b>12S4OMLOS</b>	<b>12S4OMLOSS</b>	250	200
22, 25	1	1-11	1 7/16-12	41	21	22	36	42	58	41	600	<b>16S4OMLOS</b>	<b>16S4OMLOSS</b>	250	200
28, 30, 32	1 1/4	1 1/4-11	1 11/16-12	50	26	28	41	45	61	44	850	<b>20S4OMLOS</b>	<b>20S4OMLOSS</b>	210	160
35, 38	1 1/2	1 1/2-11	2-12	55	32	33	50	49	65	47	940	<b>24S4OMLOS</b>	<b>24S4OMLOSS</b>	140	—

Product delivered with NBR TRAP seal. Replacement of TRAP seal is with a standard NBR O-ring – see page J73.

Part numbers shown are part of our current manufacturing programme.

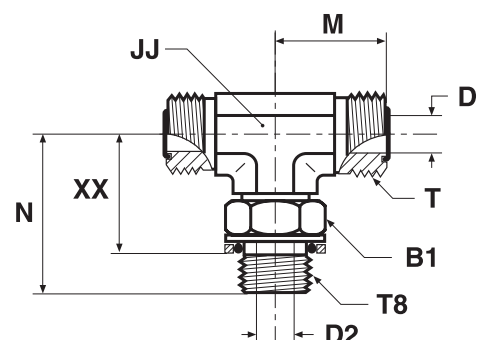
Imperial and metric parts may vary in hexagon dimensions.

$$\frac{\text{PN (bar)}}{10} = \text{PN (MPa)}$$

Pressure ratings – PN shown, apply to Steel and Stainless Steel versions of the product.

## S8OMLO Male stud branch tee

O-Lok® ORFS tube end / Adjustable metric thread – O-ring + retaining ring



Tube O.D.		Thread metric T8	Thread UN/UNF-2A T	B1 mm	D mm	D2 mm	JJ mm	M mm	N mm	XX mm	Weight (steel) g/1 piece	O-Lok® Steel	PN (bar)
mm	in.												
6	1/4	M 12×1.5	9/16-18	17	5	4	14	22	33	23	66	<b>4M12S8OMLOS</b>	250
8, 10	5/16, 3/8	M 16×1.5	11/16-16	19	7	7	19	25	37	26	131	<b>6M16S8OMLOS</b>	250
12	1/2	M 18×1.5	13/16-16	22	10	9	19	28	41	29	187	<b>8M18S8OMLOS</b>	250
14, 15, 16	5/8	M 22×1.5	1-14	27	13	12	27	33	49	35	283	<b>10M22S8OMLOS</b>	250
18, 20	3/4	M 27×2.0	1 3/16-12	32	16	15	30	37	55	39	550	<b>12M27S8OMLOS</b>	250
22, 25	1	M 33×2.0	1 7/16-12	38	21	20	36	42	59	43	566	<b>16M33S8OMLOS</b>	140
28, 30, 32	1 1/4	M 42×2.0	1 11/16-12	50	26	26	41	45	62	46	824	<b>20M42S8OMLOS</b>	140
35, 38	1 1/2	M 48×2.0	2-12	55	32	32	48	49	69	49	940	<b>24M48S8OMLOS</b>	140

Product delivered with NBR TRAP seal. Replacement of TRAP seal is with a standard NBR O-ring – see page J73.

Part numbers shown are part of our current manufacturing programme.

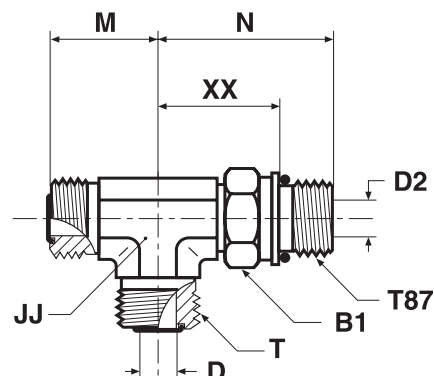
Imperial and metric parts may vary in hexagon dimensions.

$$\frac{\text{PN (bar)}}{10} = \text{PN (MPa)}$$

**J**

## R87OMLO Male stud run tee

O-Lok® ORFS tube ends / Adjustable metric thread – O-ring (ISO 6149)  
 SAE 52M0488 ISO 8434-3 SDRT



Tube O.D. mm	Tube O.D. in.	Thread metric T87	Thread UN/UNF-2A T	B1 mm	D mm	D2 mm	JJ mm	M mm	N mm	XX mm	Weight (steel) g/1 piece	O-Lok®		PN (bar)	
												Steel	Stainless Steel	S	SS
6	1/4	M 12×1.5	9/16-18	17	5	4	14	22	33	22	66	<b>4M12R87OMLOS</b>	<b>4M12R87OMLOSS</b>	420	420
8, 10	5/16, 3/8	M 16×1.5	11/16-16	22	7	7	19	25	38	27	131	<b>6M16R87OMLOS</b>	<b>6M16R87OMLOSS</b>	420	420
12	1/2	M 18×1.5	13/16-16	24	10	9	19	28	41	27	187	<b>8M18R87OMLOS</b>	<b>8M18R87OMLOSS</b>	420	420
14, 15, 16	5/8	M 22×1.5	1-14	27	13	12	27	33	49	34	283	<b>10M22R87OMLOS</b>	<b>10M22R87OMLOSS</b>	420	420
18, 20	3/4	M 27×2.0	1 3/16-12	32	16	15	30	37	55	37	549	<b>12M27R87OMLOS</b>	<b>12M27R87OMLOSS</b>	420	420
22, 25	1	M 33×2.0	1 7/16-12	41	21	20	36	42	59	41	565	<b>16M33R87OMLOS</b>	<b>16M33R87OMLOSS</b>	420	420
28, 30, 32	1 1/4	M 42×2.0	1 11/16-12	50	26	26	41	45	63	44	824	<b>20M42R87OMLOS</b>	<b>20M42R87OMLOSS</b>	280	280
35, 38	1 1/2	M 48×2.0	2-12	55	32	32	48	49	69	47	940	<b>24M48R87OMLOS</b>		280	—

Product delivered with NBR TRAP seal. Replacement of TRAP seal is with a standard NBR O-ring – see page J73.

Part numbers shown are part of our current manufacturing programme.

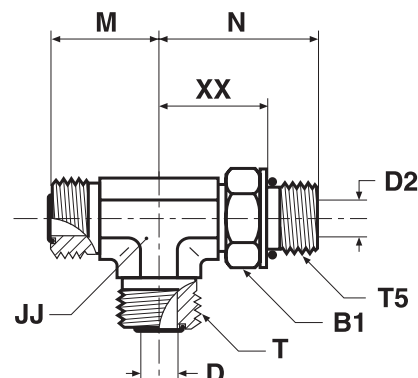
Imperial and metric parts may vary in hexagon dimensions.

$$\frac{\text{PN (bar)}}{10} = \text{PN (MPa)}$$

Pressure ratings – PN shown, apply to Steel and Stainless Steel versions of the product.

## R5OMLO Male stud run tee

O-Lok® ORFS tube end / Adjustable UN/UNF thread O-ring (ISO 11926)  
SAE 520428



Tube O.D.		Thread UN/UNF-2A T5	Thread UN/UNF-2A T	B1 mm	D mm	D2 mm	JJ mm	M mm	N mm	XX mm	Weight (steel) g/1 piece	O-Lok®		PN (bar)	
mm	in.											Steel	Stainless Steel	S	SS
6	1/4	7/16-20	9/16-18	16	5	5	14	22	33	22	67	<b>4 R5OLO-S</b>	<b>4 R5OLO-SS</b>	420	420
8, 10	5/16, 3/8	9/16-18	11/16-16	19	7	8	19	25	37	25	131	<b>6R5OMLOS</b>	<b>6 R5OLO-SS</b>	420	420
12	1/2	3/4-16	13/16-16	24	10	10	19	28	41	27	187	<b>8 R5OLO-S</b>	<b>8 R5OLO-SS</b>	420	420
14, 15, 16	5/8	7/8-14	1-14	27	13	13	27	33	50	34	288	<b>10 R5OLO-S</b>	<b>10 R5OLO-SS</b>	420	420
18, 20	3/4	1 1/16-12	1 3/16-12	35	16	16	30	37	55	37	558	<b>12 R5OLO-S</b>	<b>12 R5OLO-SS</b>	420	420
18, 20	3/4	1 5/16-12	1 3/16-12	41	16	21	37	41	60	41	560	<b>12-16-12 R5OLO-S</b>	<b>12-16-12 R5OLO-SS</b>	380	380
22, 25	1	1 5/16-12	1 7/16-12	41	21	21	37	42	60	41	566	<b>16 R5OLO-S</b>	<b>16 R5OLO-SS</b>	380	380
28, 30, 32	1 1/4	1 5/8-12	1 11/16-12	48	26	26	41	45	62	44	825	<b>20 R5OLO-S</b>	<b>20 R5OLO-SS</b>	280	280
35, 38	1 1/2	1 7/8-12	2-12	54	32	32	48	49	66	47	942	<b>24 R5OLO-S</b>	<b>24 R5OLO-SS</b>	280	280

Product delivered with NBR TRAP seal. Replacement of TRAP seal is with a standard NBR O-ring – see page J73.

Part numbers shown are part of our current manufacturing programme.

Imperial and metric parts may vary in hexagon dimensions.

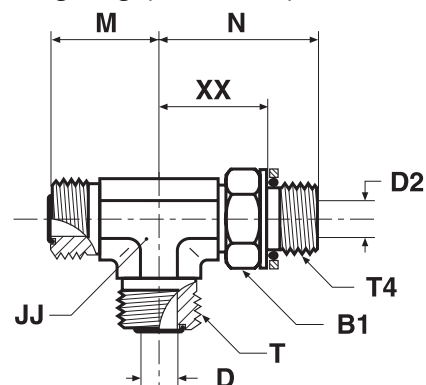
$$\frac{\text{PN (bar)}}{10} = \text{PN (MPa)}$$

Pressure ratings – PN shown, apply to Steel and Stainless Steel versions of the product.



## R4OMLO Male stud run tee

O-Lok® ORFS tube ends / Adjustable BSPP thread O-ring + retaining ring (ISO 1179)



Tube O.D.		Thread BSPP T4	Thread UN/UNF-2A T	B1 mm	D mm	D2 mm	JJ mm	M mm	N mm	XX mm	Weight (steel) g/1 piece	O-Lok®		PN (bar)	
mm	in.											Steel	Stainless Steel	S	SS
6	1/4	1/8-28	9/16-18	14	5	4	14	22	30	22	69	<b>4R4OMLOS</b>	<b>4R4OMLOSS</b>	250	250
6	1/4	1/4-19	9/16-18	19	5	8	19	24	36	25	97	<b>4-4-4R4OMLOS</b>	<b>4-4-4R4OMLOSS</b>	250	200
8, 10	5/16, 3/8	1/4-19	11/16-16	19	7	8	19	25	36	25	127	<b>6R4OMLOS</b>	<b>6R4OMLOSS</b>	250	200
8, 10	5/16, 3/8	3/8-19	11/16-16	22	7	10	19	27	38	27	126	<b>6-6-6R4OMLOS</b>	<b>6-6-6R4OMLOSS</b>	250	200
12	1/2	3/8-19	13/16-16	22	10	10	19	28	38	27	146	<b>8R4OMLOS</b>	<b>8R4OMLOSS</b>	250	200
12	1/2	1/2-14	13/16-16	27	10	12	27	31	49	34	174	<b>8-8-8R4OMLOS</b>	<b>8-8-8R4OMLOSS</b>	250	200
14, 15, 16	5/8	1/2-14	1-14	27	13	12	27	33	49	34	288	<b>10R4OMLOS</b>	<b>10R4OMLOSS</b>	250	200
16		3/4-14	1-14	36	13	16	30	36	52	37	314	<b>10-12-10R4OMLOS</b>	<b>10-12-10R4OMLOSS</b>	250	200
18, 20	3/4	3/4-14	1 3/16-12	36	16	16	30	37	52	37	531	<b>12R4OMLOS</b>	<b>12R4OMLOSS</b>	250	200
18, 20	3/4	1-11	1 3/16-12	41	16	22	36	41	58	41	559	<b>12-16-12R4OMLOS</b>	<b>12-16-12R4OMLOSS</b>	250	200
22, 25	1	1-11	1 7/16-12	41	21	22	36	42	58	41	553	<b>16R4OMLOS</b>	<b>16R4OMLOSS</b>	250	200
28, 30, 32	1 1/4	1 1/4-11	1 11/16-12	50	26	28	41	45	61	44	824	<b>20R4OMLOS</b>	<b>20R4OMLOSS</b>	210	160
35, 38	1 1/2	1 1/2-11	2-12	55	32	32	50	49	65	47	940	<b>24R4OMLOS</b>		140	—

Product delivered with NBR TRAP seal. Replacement of TRAP seal is with a standard NBR O-ring – see page J73.

Part numbers shown are part of our current manufacturing programme.

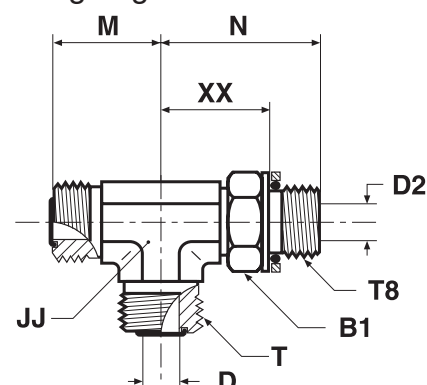
Imperial and metric parts may vary in hexagon dimensions.

$$\frac{\text{PN (bar)}}{10} = \text{PN (MPa)}$$

Pressure ratings – PN shown, apply to Steel and Stainless Steel versions of the product.

## R8OMLO Male stud run tee

O-Lok® ORFS tube end / Adjustable metric thread – O-ring + retaining ring



Tube O.D.		Thread metric T8	Thread UN/UNF-2A T	B1 mm	D mm	D2 mm	JJ mm	M mm	N mm	XX mm	Weight (steel) g/1 piece	O-Lok® Steel	PN (bar)
mm	in.												
6	1/4	M 12×1.5	9/16-18	17	5	4	14	22	33	23	66	<b>4M12R8OMLOS</b>	250
8, 10	5/16, 3/8	M 16×1.5	11/16-16	19	7	7	19	25	38	26	131	<b>6M16R8OMLOS</b>	250
12	1/2	M 18×1.5	13/16-16	22	10	9	19	28	41	29	187	<b>8M18R8OMLOS</b>	250
14, 15, 16	5/8	M 22×1.5	1-14	27	13	12	27	33	49	35	283	<b>10M22R8OMLOS</b>	250
18, 20	3/4	M 27×2.0	1 3/16-12	32	16	15	30	37	55	39	550	<b>12M27R8OMLOS</b>	250
22, 25	1	M 33×2.0	1 7/16-12	38	21	20	36	42	59	43	566	<b>16M33R8OMLOS</b>	140
28, 30, 32	1 1/4	M 42×2.0	1 11/16-12	50	26	26	41	45	63	46	824	<b>20M42R8OMLOS</b>	140
35, 38	1 1/2	M 48×2.0	2-12	55	32	32	48	49	69	49	940	<b>24M48R8OMLOS</b>	140

Product delivered with NBR TRAP seal. Replacement of TRAP seal is with a standard NBR O-ring – see page J73.

Part numbers shown are part of our current manufacturing programme.

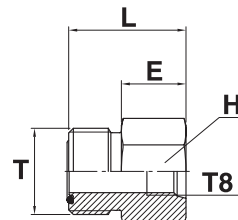
Imperial and metric parts may vary in hexagon dimensions.

$$\frac{\text{PN (bar)}}{10} = \text{PN (MPa)}$$

**J**

## G87MLO Pressure gauge connector

O-Lok® ORFS tube end / Female metric thread – O-ring (ISO 6149-1) suitably for EMA link



Tube O.D.		Thread metric T8	Thread UN/UNF-2A T	E mm	H mm	L mm	Weight (steel) g/1 piece	O-Lok® Steel	O-Lok® Stainless Steel	PN (bar)	
mm	in.									S	SS
6	1/4	M 14×1.5	9/16-18	19	19	29	20	<b>4M14G87MLOS</b>	<b>4M14G87MLOSS</b>	630	630
8, 10	5/16, 3/8	M 14×1.5	11/16-18	19	19	30	44	<b>6M14G87MLOS</b>	<b>6M14G87MLOSS</b>	630	630
12	1/2	M 14×1.5	13/16-16	19	22	32	66	<b>8M14G87MLOS</b>	<b>8M14G87MLOSS</b>	630	630
14, 15, 16	5/8	M 14×1.5	1-14	19	27	35	82	<b>10M14G87MLOS</b>	<b>10M14G87MLOSS</b>	420	420
18, 20	3/4	M 14×1.5	1 3/16-12	19	32	36	104	<b>12M14G87MLOS</b>	<b>12M14G87MLOSS</b>	420	420

Product delivered with NBR TRAP seal. Replacement of TRAP seal is with a standard NBR O-ring – see page J73.

Part numbers shown are part of our current manufacturing programme.

Imperial and metric parts may vary in hexagon dimensions.

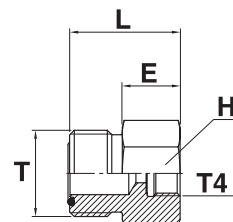
$$\frac{\text{PN (bar)}}{10} = \text{PN (MPa)}$$

Pressure ratings – PN shown, apply to Steel and Stainless Steel versions of the product.



## G4MLOSMO Pressure gauge connector

O-Lok® ORFS tube end / Female BSPP gauge thread (ISO 1179-1)



mm	Tube O.D.		Thread BSPP T4	Thread UN/UNF-2A T	E mm	H mm	L mm	Weight (steel) g/1 piece	O-Lok® Steel	O-Lok® Stainless Steel	PN (bar)	
	in.										S	SS
6	1/4		1/4-19	9/16-18	19	17	27	32	4-4G4MLOSMO	4-4G4MLOSSMO	400	400
6	1/4		1/2-14	9/16-18	27	30	37	80	4-8G4MLOSMO	4-8G4MLOSSMO	400	400
8, 10	5/16, 3/8		1/4-19	11/16-16	17	19	28	49	6G4MLOSMO	6G4MLOSSMO	400	400
8, 10	5/16, 3/8		1/2-14	11/16-16	27	30	38	107	6-8G4MLOSMO	6-8G4MLOSSMO	400	400
12	1/2		1/4-19	13/16-16	17	22	30	60	8-4G4MLOSMO	8-4G4MLOSSMO	280	280
12	1/2		1/2-14	13/16-16	27	30	40	80	8-8G4MLOSMO	8-8G4MLOSSMO	280	280

Product delivered with NBR TRAP seal. Replacement of TRAP seal is with a standard NBR O-ring – see page J73.

Part numbers shown are part of our current manufacturing programme.

Imperial and metric parts may vary in hexagon dimensions.

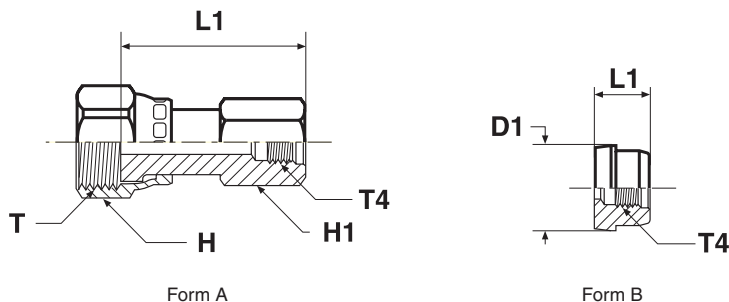
$$\frac{\text{PN (bar)}}{10} = \text{PN (MPa)}$$

Pressure ratings – PN shown, apply to Steel and Stainless Steel versions of the product.

J

## TT4ML Test point connector

O-Lok® ORFS swivel female end / Female BSPP thread (ISO 1179-1)  
for EMA3 test point



Form B has to be assembled with a nut BMLS/BLS.

Thread UN/UNF-2B T	Thread BSPP T4	D1 mm	H mm	H1 mm	L1 mm	Weight (steel) g/1 piece	Form	O-Lok® Steel	O-Lok® Stainless Steel		
									PN (bar) S	PN (bar) SS	
9/16-18	1/4-19	—	17	19	38	60	A	<b>4TT4MLS</b>	<b>4TT4MLSS</b>	420	420
11/16-16	1/4-19	—	22	19	41	74	A	<b>6TT4MLS</b>	<b>6TT4MLSS</b>	420	420
13/16-16	1/4-19	—	24	19	43	91	A	<b>8TT4MLS</b>	<b>8TT4MLSS</b>	420	420
—	1/4-19	23	—	—	18	30	B	<b>10TT4LS</b>	<b>10TT4MLSS</b>	420	420
—	1/4-19	28	—	—	18	48	B	<b>12TT4LS</b>	<b>12TT4MLSS</b>	420	420
—	1/4-19	34	—	—	18	95	B	<b>16TT4LS</b>	<b>16TT4MLSS</b>	420	420
—	1/4-19	41	—	—	18	130	B	<b>20TT4LS</b>	<b>20TT4MLSS</b>	280	280
—	1/4-19	49	—	—	18	189	B	<b>24TT4LS</b>	<b>24TT4MLSS</b>	280	280

Part numbers shown are part of our current manufacturing programme.

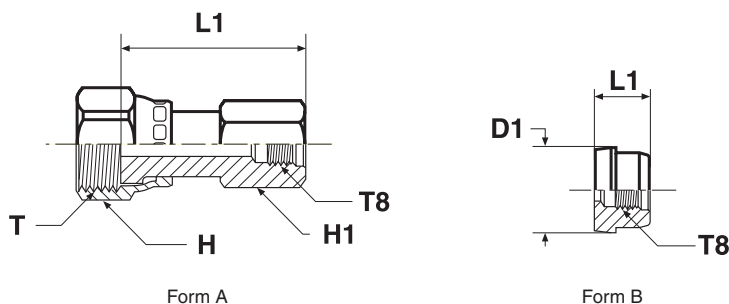
Imperial and metric parts may vary in hexagon dimensions.

$$\frac{\text{PN (bar)}}{10} = \text{PN (MPa)}$$

Pressure ratings – PN shown, apply to Steel and Stainless Steel versions of the product.

## TT8ML Test point connector

O-Lok® ORFS female swivel end / Metric female thread  
(Metric female thread designed for use with EMA3 connections only)



Form B has to be assembled with a nut BMLS/BLS.

Thread UN/UNF-2B T	Thread metric T8	D1 mm	H mm	H1 mm	L1 mm	Weight (steel) g/1 piece	Form	O-Lok® Steel	O-Lok® Stainless Steel		PN (bar)		
									S	SS	S	SS	
9/16-18	M 10×1.0	—	17	19	37	86	A	<b>4TT8MLS</b>	<b>4TT8MLSS</b>	420	420	420	420
11/16-16	M 10×1.0	—	22	19	39	86	A	<b>6TT8MLS</b>	<b>6TT8MLSS</b>	420	420	420	420
13/16-16	M 10×1.0	—	24	19	43	123	A	<b>8TT8MLS</b>	<b>8TT8MLSS</b>	420	420	420	420
—	M 10×1.0	23	—	—	16	40	B	<b>10TT8LS</b>	<b>10TT8LSS</b>	420	420	420	420
—	M 10×1.0	28	—	—	16	60	B	<b>12TT8LS</b>	<b>12TT8LSS</b>	420	420	420	420
—	M 10×1.0	34	—	—	16	85	B	<b>16TT8LS</b>	<b>16TT8LSS</b>	420	420	280	280
—	M 10×1.0	41	—	—	16	133	B	<b>20TT8LS</b>	<b>20TT8LSS</b>	280	280	280	280
—	M 10×1.0	48	—	—	16	193	B	<b>24TT8LS</b>	<b>24TT8LSS</b>	280	280	280	280

Part numbers shown are part of our current manufacturing programme.

Imperial and metric parts may vary in hexagon dimensions.

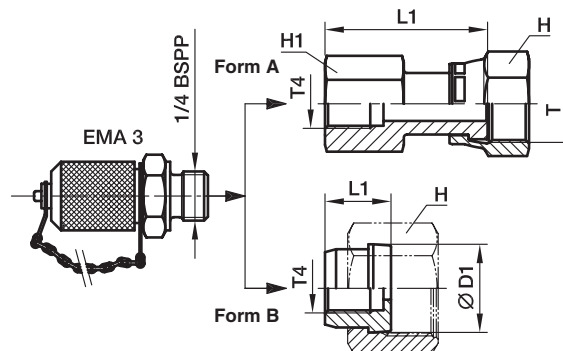
$$\frac{\text{PN (bar)}}{10} = \text{PN (MPa)}$$

Pressure ratings – PN shown, apply to Steel and Stainless Steel versions of the product.

J

## TTP4ML Test point connector

O-Lok® ORFS female swivel end / EMA3 test point



Form B versions delivered complete with BMLS nut.

Thread UN/UNF-2B T	Thread BSPP T4	D1 mm	H mm	H1 mm	L1 mm	Weight (steel) g/1 piece	Form	O-Lok® Steel	PN (bar)
9/16-18	1/4-19	—	17	19	38	150	A	<b>4TTP4MLS</b>	420
11/16-16	1/4-19	—	22	19	41	164	A	<b>6TTP4MLS</b>	420
13/16-16	1/4-19	—	24	19	43	181	A	<b>8TTP4MLS</b>	420
—	1/4-19	23	30	—	18	120	B	<b>10TTP4LS</b>	420
—	1/4-19	28	36	—	18	138	B	<b>12TTP4LS</b>	420
—	1/4-19	34	41	—	18	185	B	<b>16TTP4LS</b>	420
—	1/4-19	41	50	—	18	200	B	<b>20TTP4LS</b>	280
—	1/4-19	49	60	—	18	279	B	<b>24TTP4LS</b>	280

O-Lok® is delivered with NBR elastomeric seals as standard. For more details on other seal materials see page J73–J74.

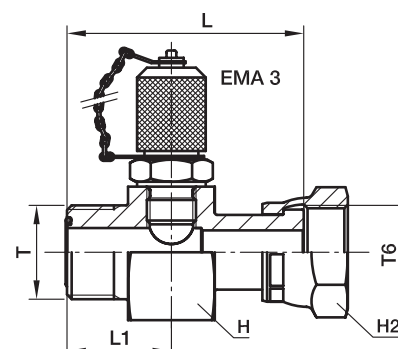
Part numbers shown are part of our current manufacturing programme.

Imperial and metric parts may vary in hexagon dimensions.

$$\frac{\text{PN (bar)}}{10} = \text{PN (MPa)}$$

## R6P4MLO Test point connector

O-Lok® ORFS end / O-Lok® ORFS female swivel end / EMA3 test point



Tube O.D.		Thread UN/UNF-2A T	Thread UN/UNF-2B T6	L	L1	H	H2	Weight (steel) g/1 piece	O-Lok® Steel	PN (bar)
mm	in.			mm	mm	mm	mm			
6	1/4	9/16-18	9/16-18	50	22	36	17	270	<b>4-4R6P4MLOS</b>	420
8, 10	5/16, 3/8	11/16-16	11/16-16	53	23	36	22	300	<b>6-4R6P4MLOS</b>	420
12	1/2	13/16-16	13/16-16	58	25	36	24	308	<b>8-4R6P4MLOS</b>	420
14, 15, 16	5/8	1-14	1-14	64	27	36	30	337	<b>10-4R6P4MLOS</b>	420
18, 20	3/4	1 3/16-12	1 3/16-12	68	29	41	36	416	<b>12-4R6P4MLOS</b>	420
25	1	1 7/16-12	1 7/16-12	71	29	46	41	506	<b>16-4R6P4MLOS</b>	420
28, 30, 32	1 1/4	1 11/16-12	1 11/16-12	73	29	50	50	691	<b>20-4R6P4MLOS</b>	280
35, 38	1 1/2	2-12	2-12	74	29	60	60	995	<b>24-4R6P4MLOS</b>	280

Product delivered with NBR TRAP seal. Replacement of TRAP seal is with a standard NBR O-ring – see page J73.

Part numbers shown are part of our current manufacturing programme.

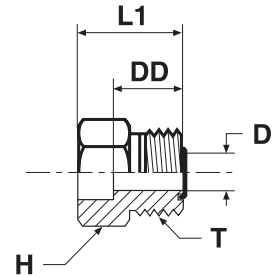
Imperial and metric parts may vary in hexagon dimensions.

$$\frac{\text{PN (bar)}}{10} = \text{PN (MPa)}$$

J

## LOHB3\* Braze connector

O-Lok® ORFS tube end / Braze socket  
 SAE 520104 / SAE 52M0104 ISO 8434-3 BRS  
 (\*Parts delivered oil dipped finish only – steel)



Tube O.D.		Thread UN/UNF-2A T	D mm	DD mm	H in.	H mm	L1 mm	Weight (steel) g/1 piece	O-Lok® Steel	O-Lok® Stainless Steel	PN (bar)	
mm	in.										S	SS
6	1/4 3/8 1/2 5/8	9/16-18	5	14	—	17	22	23	4-6MMLOHB3S		420	—
		9/16-18	5	13	5/8	—	22	24	4 LOHB3-S	4 LOHB3-SS	420	420
		9/16-18	5	13	5/8	—	22	23	4-6 LOHB3-S	4-6 LOHB3-SS	420	420
		11/16-16	7	14	3/4	—	23	36	6 LOHB3-S	6 LOHB3-SS	420	420
		11/16-16	7	14	3/4	—	23	42	6-4 LOHB3-S	6-4 LOHB3-SS	420	420
		11/16-16	7	14	3/4	—	23	36	6-8 LOHB3-S	6-8 LOHB3-SS	420	420
		11/16-16	7	15	—	19	23	30	6-10 LOHB3-S	6-10 LOHB3-SS	420	420
12	1/2 3/4	13/16-16	10	16	—	22	25	42	8-12MMLOHB3S		420	—
		13/16-16	10	16	7/8	—	25	44	8 LOHB3-S	8 LOHB3-SS	420	420
		13/16-16	10	16	7/8	—	25	58	8-4 LOHB3-S	8-4 LOHB3-SS	420	420
		13/16-16	10	16	7/8	—	25	43	8-6 LOHB3-S	8-6 LOHB3-SS	420	420
		13/16-16	10	16	7/8	—	25	42	8-10 LOHB3-S	8-10 LOHB3-SS	420	420
		13/16-16	10	17	1 1/16	—	30	74	8-12 LOHB3-S	8-12 LOHB3-SS	420	420
		16	5/8 3/4	1-14	13	19	—	27	27	101	10-16MMLOHB3S	
1-14	13			19	1 1/16	—	27	104	10 LOHB3-S	10 LOHB3-SS	420	420
1-14	13			19	1 1/16	—	27	99	10-6 LOHB3-S	10-6 LOHB3-SS	420	420
1-14	13			19	1 1/16	—	27	96	10-8 LOHB3-S	10-8 LOHB3-SS	420	420
1-14	13			19	1 1/16	—	31	97	10-12 LOHB3-S	10-12 LOHB3-SS	420	420
20	3/4 1/2 5/8 1	1 3/16-12	16	21	—	32	34	144	12-20MMLOHB3S		420	—
		1 3/16-12	16	21	1 1/4	—	34	149	12 LOHB3-S	12 LOHB3-SS	420	420
		1 3/16-12	16	21	1 1/4	—	30	174	12-8 LOHB3-S	12-8 LOHB3-SS	420	420
		1 3/16-12	16	21	1 1/4	—	30	171	12-10 LOHB3-S	12-10 LOHB3-SS	420	420
		1 3/16-12	16	21	1 1/2	—	35	220	12-16 LOHB3-S	12-16 LOHB3-SS	420	420
25	1 1/2 3/4 1 1/4	1 7/16-12	21	25	—	41	39	218	16-25MMLOHB3S		420	—
		1 7/16-12	21	25	1 1/2	—	39	225	16 LOHB3-S	16 LOHB3-SS	420	420
		1 7/16-12	21	25	1 1/2	—	33	237	16-8 LOHB3-S	16-8 LOHB3-SS	420	420
		1 7/16-12	21	25	1 1/2	—	37	228	16-12 LOHB3-S	16-12 LOHB3-SS	420	420
		1 7/16-12	21	25	1 3/4	—	39	276	16-20 LOHB3-S	16-20 LOHB3-SS	420	420
30	1 1/4 1 1 1/2	1 11/16-12	26	25	—	46	39	269	20-30MMLOHB3S		280	—
		1 11/16-12	26	25	1 3/4	—	39	278	20 LOHB3-S	20 LOHB3-SS	280	280
		1 11/16-12	26	25	1 3/4	—	39	278	20-16 LOHB3-S	20-16 LOHB3-SS	280	280
		1 11/16-12	26	25	2 1/8	—	39	371	20-24 LOHB3-S	20-24 LOHB3-SS	280	280
38	1 1/2 1 1/4	2-12	32	25	—	55	39	374	24-38MMLOHB3S		280	—
		2-12	32	25	2 1/8	—	39	384	24 LOHB3-S	24 LOHB3-SS	280	280
		2-12	32	25	2 1/8	—	39	442	24-20 LOHB3-S	24-20 LOHB3-SS	280	280

Product delivered with NBR TRAP seal. Replacement of TRAP seal is with a standard NBR O-ring – see page J73.

Part numbers shown are part of our current manufacturing programme.

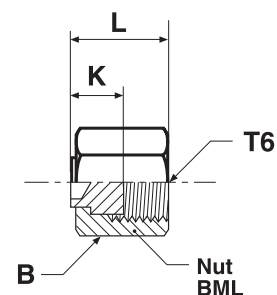
Imperial and metric parts may vary in hexagon dimensions.

$$\frac{\text{PN (bar)}}{10} = \text{PN (MPa)}$$

Pressure ratings – PN shown, apply to Steel and Stainless Steel versions of the product.

## FNML Cap

O-Lok® ORFS Female swivel cap end  
SAE 520112



Thread UN/UNF-2B T6	B mm	K mm	L mm	Weight (steel) g/1 piece	O-Lok® Steel	O-Lok® Stainless Steel	PN (bar)	
							S	SS
9/16-18	17	9	17	6	<b>4 FNL-S</b>	<b>4FNMLSS</b>	630	630
11/16-16	22	11	18	10	<b>6FNMLS</b>	<b>6FNMLSS</b>	630	630
13/16-16	24	12	22	11	<b>8FNMLS</b>	<b>8FNMLSS</b>	630	630
1-14	30	14	25	31	<b>10 FNL-S</b>	<b>10FNMLSS</b>	420	420
1 3/16-12	36	15	27	52	<b>12FNMLS</b>	<b>12FNMLSS</b>	420	420
1 7/16-12	41	16	29	81	<b>16FNMLS</b>	<b>16FNMLSS</b>	420	420
1 11/16-12	48	15	29	129	<b>20 FNL-S</b>	<b>20FNMLSS</b>	280	280
2-12	57	15	29	189	<b>24 FNL-S</b>	<b>24FNMLSS</b>	280	280
2 1/2-12	73	20	37	390	<b>32 FNL-S</b>		200	—

Part numbers shown are part of our current manufacturing programme.

Imperial and metric parts may vary in hexagon dimensions.

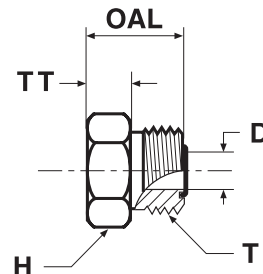
$$\frac{\text{PN (bar)}}{10} = \text{PN (MPa)}$$

Pressure ratings – PN shown, apply to Steel and Stainless Steel versions of the product.

**J**

## PNMLO Plug

O-Lok® ORFS tube end plug  
SAE 520109



Tube O.D. mm	Tube O.D. in.	Thread UN/UNF-2A T	D mm	H mm	OAL mm	TT mm	Weight (steel) g/1 piece	O-Lok® Steel	O-Lok® Stainless Steel	PN (bar)	
										S	SS
6	1/4	9/16-18	5	16	17	5	18	<b>4 PNLO-S</b>	<b>4PNMLOSS</b>	630	630
8, 10	5/16, 3/8	11/16-16	7	19	19	8	34	<b>6PNMLOS</b>	<b>6PNMLOSS</b>	630	630
12	1/2	13/16-16	10	22	22	9	45	<b>8PNMLOS</b>	<b>8PNMLOSS</b>	630	630
14, 15, 16	5/8	1-14	13	27	26	10	91	<b>10 PNLO-S</b>	<b>10PNMLOSS</b>	420	420
18, 20	3/4	1 3/16-12	16	32	27	10	138	<b>12 PNLO-S</b>	<b>12PNMLOSS</b>	420	420
22, 25	1	1 7/16-12	21	38	28	10	203	<b>16 PNLO-S</b>	<b>16PNMLOSS</b>	420	420
28, 30, 32	1 1/4	1 11/16-12	26	45	28	10	266	<b>20 PNLO-S</b>	<b>20PNMLOSS</b>	420	280
35, 38	1 1/2	2-12	32	54	28	10	369	<b>24 PNLO-S</b>	<b>24PNMLOSS</b>	350	280
50	2	2 1/2-12	45	70	35	13	580	<b>32 PNLO-S</b>	<b>32PNMLOSS</b>	200	200

Product delivered with NBR TRAP seal. Replacement of TRAP seal is with a standard NBR O-ring – see page J73.

Part numbers shown are part of our current manufacturing programme.

Imperial and metric parts may vary in hexagon dimensions.

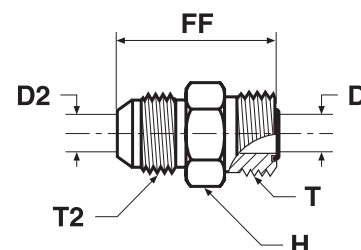
$$\frac{\text{PN (bar)}}{10} = \text{PN (MPa)}$$

Pressure ratings – PN shown, apply to Steel and Stainless Steel versions of the product.



## XHMLO Conversion union

Triple-Lok® 37° flare tube end / O-Lok® ORFS tube end



Tube O.D.		Thread UN/UNF-2A T	Thread UN/UNF-2A T2	D mm	D2 mm	FF mm	H mm	Weight (steel) g/1 piece	O-Lok® Steel	O-Lok® Stainless Steel	PN (bar)	
mm	in.										S	SS
6	1/4	9/16-18	7/16-20	5	5	32	16	29	<b>4 XHLO-S</b>	<b>4XHMLOSS</b>	500	350
8, 10	5/16, 3/8	11/16-16	9/16-18	7	7	34	19	45	<b>6 XHLO-S</b>	<b>6XHMLOSS</b>	420	350
12	1/2	13/16-16	3/4-16	10	10	39	22	70	<b>8 XHLO-S</b>	<b>8XHMLOSS</b>	420	350
14, 15, 16	5/8	1-14	7/8-14	13	13	47	27	119	<b>10 XHLO-S</b>	<b>10XHMLOSS</b>	350	350
18, 20	3/4	1 3/16-12	1 1/16-12	16	16	52	32	181	<b>12 XHLO-S</b>	<b>12XHMLOSS</b>	350	350
22, 25	1	1 7/16-12	1 5/16-12	21	21	55	38	265	<b>16 XHLO-S</b>	<b>16XHMLOSS</b>	280	280
28, 30, 32	1 1/4	1 11/16-12	1 5/8-12	26	26	58	45	383	<b>20 XHLO-S</b>	<b>20XHMLOSS</b>	280	210
35, 38	1 1/2	2-12	1 7/8-12	32	32	63	54	562	<b>24 XHLO-S</b>	<b>24XHMLOSS</b>	210	140

Product delivered with NBR TRAP seal. Replacement of TRAP seal is with a standard NBR O-ring – see page J73.

Part numbers shown are part of our current manufacturing programme.

Imperial and metric parts may vary in hexagon dimensions.

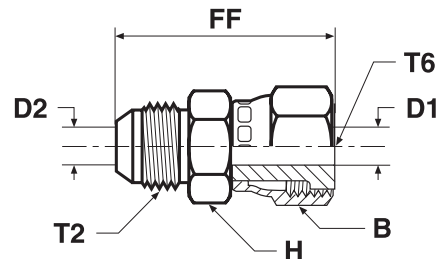
$$\frac{\text{PN (bar)}}{10} = \text{PN (MPa)}$$

Pressure ratings – PN shown, apply to Steel and Stainless Steel versions of the product.

**J**

## XHML6 Conversion swivel nut connector

Triple-Lok® 37° flare tube end / O-Lok® ORFS female swivel end



Tube O.D.		Thread UN/UNF-2A T2	Thread UN/UNF-2B T6	B	D1	D2	FF	H	Weight (steel)	O-Lok® Steel	O-Lok® Stainless Steel	PN (bar)	
mm	in.			mm	mm	mm	mm	mm	g/1 piece			S	SS
6	1/4	7/16-20	9/16-18	17	4	4	38	16	29	<b>4 XHL6-S</b>	<b>4XHML6SS</b>	500	350
8, 10	5/16, 3/8	9/16-18	11/16-16	21	7	7	41	19	46	<b>6 XHL6-S</b>	<b>6XHML6SS</b>	420	350
12	1/2	3/4-16	13/16-16	24	9	9	48	22	73	<b>8 XHL6-S</b>	<b>8XHML6SS</b>	420	350
14, 15, 16	5/8	7/8-14	1-14	29	12	12	56	27	126	<b>10 XHL6-S</b>	<b>10XHML6SS</b>	350	350
18, 20	3/4	1 1/16-12	1 3/16-12	35	14	14	64	32	205	<b>12 XHL6-S</b>	<b>12XHML6SS</b>	350	350
22, 25	1	1 5/16-12	1 7/16-12	41	20	20	68	38	285	<b>16 XHL6-S</b>	<b>16XHML6SS</b>	280	280
28, 30, 32	1 1/4	1 5/8-12	1 11/16-12	48	26	26	71	43	623	<b>20 XHL6-S</b>	<b>20XHML6SS</b>	280	210

Part numbers shown are part of our current manufacturing programme.

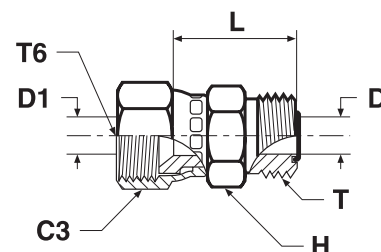
Imperial and metric parts may vary in hexagon dimensions.

$$\frac{\text{PN (bar)}}{10} = \text{PN (MPa)}$$

Pressure ratings – PN shown, apply to Steel and Stainless Steel versions of the product.

## LOHMX6 Conversion swivel nut connector

Triple-Lok® 37 flare female swivel end / O-Lok® ORFS male end



Tube O.D.	Thread	Thread	C3	D	D1	H	L	Weight (steel) g/1 piece	O-Lok®		PN (bar)	
									Steel	Stainless Steel	S	SS
6	1/4	9/16-18	14	5	5	16	26	26	4 LOHX6-S	4LOHMX6SS	500	350
8, 10	5/16, 3/8	11/16-16	18	7	7	19	29	40	6 LOHX6-S	6LOHMX6SS	350	350
12	1/2	13/16-16	22	10	10	22	34	63	8 LOHX6-S	8LOHMX6SS	350	350
14, 15, 16	5/8	1-14	25	13	13	27	39	103	10 LOHX6-S	10LOHMX6SS	350	350
18, 20	3/4	1 3/16-12	32	16	16	32	41	162	12 LOHX6-S	12LOHMX6SS	350	350
22, 25	1	1 7/16-12	38	21	21	38	46	229	16 LOHX6-S	16LOHMX6SS	250	250

Product delivered with NBR TRAP seal. Replacement of TRAP seal is with a standard NBR O-ring – see page J73.

Part numbers shown are part of our current manufacturing programme.

Imperial and metric parts may vary in hexagon dimensions.

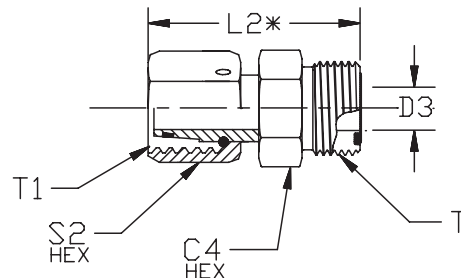
$$\frac{\text{PN (bar)}}{10} = \text{PN (MPa)}$$

Pressure ratings – PN shown, apply to Steel and Stainless Steel versions of the product.

J

## LOHU86 EO swivel adapter

O-Lok® ORFS tube end / EO 24° DKO swivel



Tube O.D.		EO Swivel Size	Thread UN/UNF-2A T	Thread metric T1	C4 mm	D3 mm	L2 mm	S2 mm	Weight (steel) g/1 piece	O-Lok® Steel	PN (bar)
mm	in.										
6	1/4	6L	9/16-18	M 12×1.5	17	3	34	14	30	<b>4-6L LOHU86-S</b>	500
6	1/4	8L	9/16-18	M 14×1.5	17	4	34	17	50	<b>4-8L LOHU86-S</b>	500
10	3/8	10L	11/16-16	M 16×1.5	19	6	37	19	75	<b>6-10L LOHU86-S</b>	500
12	1/2	12L	13/16-16	M 18×1.5	22	8	39	22	145	<b>8-12L LOHU86-S</b>	400
16	5/8	15L	1-14	M 22×1.5	27	10	46	27	180	<b>10-15L LOHU86-S</b>	400
20	3/4	18L	1 3/16-12	M 26×1.5	32	13	48	32	250	<b>12-18L LOHU86-S</b>	400
25	1	22L	1 7/16-12	M 30×2.0	41	17	53	36	305	<b>16-22L LOHU86-S</b>	250
6	1/4	6S	9/16-18	M 14×1.5	17	3	34	17	30	<b>4-6S LOHU86-S</b>	630
6	1/4	8S	9/16-18	M 16×1.5	17	4	34	19	50	<b>4-8S LOHU86-S</b>	630
10	3/8	10S	11/16-16	M 18×1.5	19	5	37	22	75	<b>6-10S LOHU86-S</b>	630
12	1/2	12S	13/16-16	M 20×1.5	22	8	40	24	145	<b>8-12S LOHU86-S</b>	630
16	5/8	14S	1-14	M 22×1.5	27	9	47	27	180	<b>10-14S LOHU86-S</b>	420
16	5/8	16S	1-14	M 24×1.5	27	11	47	30	185	<b>10-16S LOHU86-S</b>	420
20	3/4	20S	1 3/16-12	M 30×2.0	32	14	52	36	260	<b>12-20S LOHU86-S</b>	420
25	1	25S	1 7/16-12	M 36×2.0	41	18	55	46	308	<b>16-25S LOHU86-S</b>	420

Product delivered with NBR TRAP seal. Replacement of TRAP seal is with a standard NBR O-ring – see page J73.

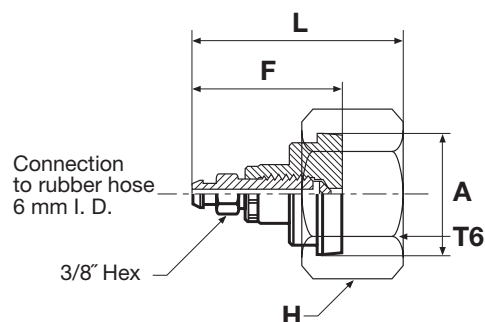
Part numbers shown are part of our current manufacturing programme.

Imperial and metric parts may vary in hexagon dimensions.

$$\frac{\text{PN (bar)}}{10} = \text{PN (MPa)}$$

## FNLBA Bleed adaptor

O-Lok® ORFS female end



Thread UN/UNF-2B T6	A (mm)	F (mm)	H (mm)	L (mm)	Weight (steel) g/1 piece	O-Lok®		PN (bar)	
						Steel	Stainless Steel	S	SS
13/16-16	19	41	24	53	49	<b>8 FNLBA-S</b>	<b>8 FNLBA-SS</b>	420	420
1-14	23	41	30	55	77	<b>10 FNLBA-S</b>	<b>10 FNLBA-SS</b>	420	420
1 3/16-12	27	41	36	56	111	<b>12 FNLBA-S</b>	<b>12 FNLBA-SS</b>	420	420
1 7/16-12	33	41	41	56	113	<b>16 FNLBA-S</b>	<b>16 FNLBA-SS</b>	420	420
1 11/16-12	40	41	50	56	151	<b>20 FNLBA-S</b>	<b>20 FNLBA-SS</b>	280	280
2-12	48	41	60	56	161	<b>24 FNLBA-S</b>	<b>24 FNLBA-SS</b>	280	280

Part numbers shown are part of our current manufacturing programme.

Imperial and metric parts may vary in hexagon dimensions.

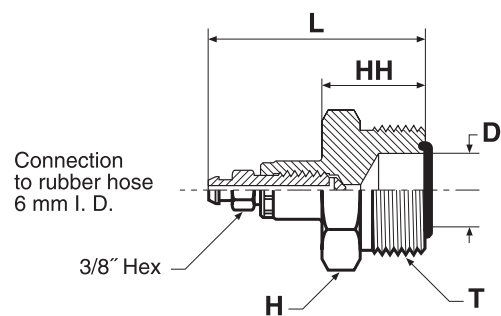
$$\frac{\text{PN (bar)}}{10} = \text{PN (MPa)}$$

Pressure ratings – PN shown, apply to Steel and Stainless Steel versions of the product.



## PNLOBA Bleed adaptor

O-Lok® ORFS female end



Tube O.D.		Thread UN/UNF-2A T	D mm	H mm	HH mm	L mm	Weight (steel) g/1 piece	O-Lok® Steel	PN (bar)
mm	in.								
6	1/4	9/16-18	5	17	20	48	57	<b>4 PNLOBA-S</b>	420
8, 10	5/16, 3/8	11/16-16	7	19	22	50	64	<b>6 PNLOBA-S</b>	420
12	1/2	13/16-16	10	22	23	53	93	<b>8 PNLOBA-S</b>	420
14, 15, 16	5/8	1-14	13	27	26	56	127	<b>10 PNLOBA-S</b>	420
18, 20	3/4	1 3/16-12	16	32	27	58	220	<b>12 PNLOBA-S</b>	420
22, 25	1	1 7/16-12	21	38	28	60	266	<b>16 PNLOBA-S</b>	420
28, 30, 32	1 1/4	1 11/16-12	26	45	28	61	304	<b>20 PNLOBA-S</b>	280
35, 38	1 1/2	2-12	32	54	28	63	422	<b>24 PNLOBA-S</b>	280

Product delivered with NBR TRAP seal. Replacement of TRAP seal is with a standard NBR O-ring – see page J73.

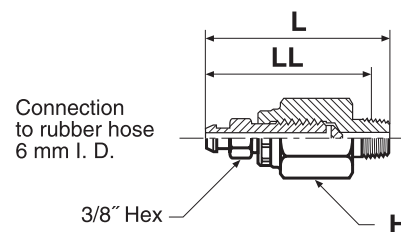
Part numbers shown are part of our current manufacturing programme.

Imperial and metric parts may vary in hexagon dimensions.

$$\frac{\text{PN (bar)}}{10} = \text{PN (MPa)}$$

## HPBA Bleed adaptor

Bleed hose connection / Male NPTF thread (SAE J476)



Thread NPTF	H mm	L mm	LL mm	O-Lok® Steel	PN (bar)
1/4-18	18	56	47	<b>1/4 HPBA-S</b>	420

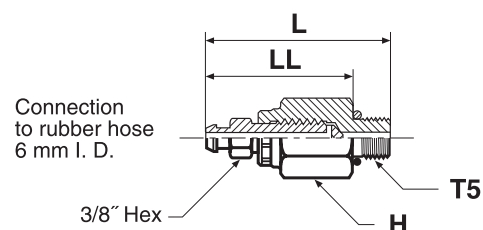
Imperial and metric parts may vary in hexagon dimensions.

$$\frac{\text{PN (bar)}}{10} = \text{PN (MPa)}$$

J

## P5ONBA Bleed adaptor

Bleed hose connection/Male UN/UNF thread – O-ring (ISO 11926)



Thread UN/UNF-2A T5	H mm	L mm	LL mm	O-Lok® Steel	PN (bar)
7/16-20	18	52	41	<b>4 P5ONBA-S</b>	420

O-Lok® is delivered with NBR elastomeric seals as standard. For more details on other seal materials see page J73–J74.

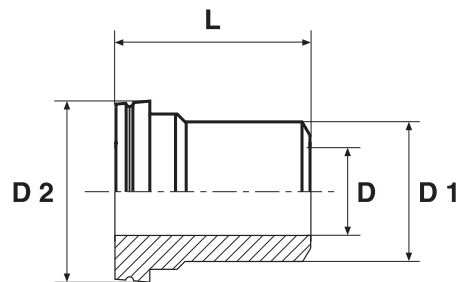
Part numbers shown are part of our current manufacturing programme.

Imperial and metric parts may vary in hexagon dimensions.

$$\frac{\text{PN (bar)}}{10} = \text{PN (MPa)}$$

## TW3L Weld nipple

O-Lok® ORFS female end / Butt weld end

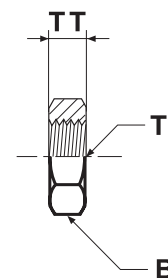


Tube O.D. mm	D mm	D1 mm	D2 mm	L mm	Weight (steel) g/1 piece	O-Lok® Steel	O-Lok® Stainless Steel
6	2	6	13	25	10	<b>TW3LS6</b>	<b>TW3LSS6</b>
8	3	8	13	25	12	<b>TW3LS8</b>	<b>TW3LSS8</b>
10	4	10	16	26	15	<b>TW3LS10</b>	<b>TW3LSS10</b>
12	5	12	19	26	18	<b>TW3LS12</b>	<b>TW3LSS12</b>
16	10	16	23	32	25	<b>TW3LS16</b>	<b>TW3LSS16</b>
20	13	20	28	37	30	<b>TW3LS20</b>	<b>TW3LSS20</b>
25	16	25	34	42	37	<b>TW3LS25</b>	<b>TW3LSS25</b>
30	22	30	41	44	43	<b>TW3LS30</b>	<b>TW3LSS30</b>
38	28	38	48	49	70	<b>TW3LS38</b>	<b>TW3LSS38</b>

Part numbers shown are part of our current manufacturing programme.

## WLNML Bulkhead locknut

SAE 520118/SAE 52M0118 ISO 8434-3 BHLN



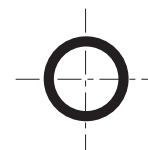
Thread UN/UNF-2B T	B mm	TT mm	Weight (steel) g/1 piece	O-Lok® Steel	O-Lok® Stainless Steel
9/16-18	22	7	11	<b>4WLNMLS</b>	<b>4WLNMLSS</b>
11/16-16	27	8	23	<b>6WLNMLS</b>	<b>6WLNMLSS</b>
13/16-16	30	9	26	<b>8WLNMLS</b>	<b>8WLNMLSS</b>
1-14	36	11	38	<b>10WLNMLS</b>	<b>10WLNMLSS</b>
1 3/16-12	41	11	44	<b>12WLNMLS</b>	<b>12WLNMLSS</b>
1 7/16-12	46	11	54	<b>16WLNMLS</b>	<b>16WLNMLSS</b>
1 11/16-12	51	10	73	<b>20 WLNML-S</b>	<b>20WLNMLSS</b>
2-12	60	10	102	<b>24 WLNML-S</b>	<b>24WLNMLSS</b>

Part numbers shown are part of our current manufacturing programme.

Imperial and metric parts may vary in hexagon dimensions.



## Spare parts guide – O-Lok® retaining rings and seals



## Face seal end O-rings SAE J1453/ISO 8434-3

Dash size	Thread UN/UNF	O-ring order code		O-ring ID × section mm
		NBR	FKM	
4	9/16-18	2-011-N552-9	2-011-V894-9	7.65 × 1.78
6	11/16-16	2-012-N552-9	2-012-V894-9	9.25 × 1.78
8	13/16-16	2-014-N552-9	2-014-V894-9	12.42 × 1.78
10	1-14	2-016-N552-9	2-016-V894-9	15.60 × 1.78
12	1 3/16-12	2-018-N552-9	2-018-V894-9	18.77 × 1.78
16	1 7/16-12	2-021-N552-9	2-021-V894-9	23.52 × 1.78
20	1 11/16-12	2-025-N552-9	2-025-V894-9	29.87 × 1.78
24	2-12	2-029-N552-9	2-029-V894-9	37.82 × 1.78
32	2 1/2-12	2-135-N552-9	2-135-V894-9	48.90 × 2.62

## BSPP male threads – ISO 1179

Thread BSPP	ED seal order code		O-ring order code*		O-ring ID × section mm	Retainer ring Order code Steel	Retainer ring Order code Stainless Steel
	NBR	FKM	NBR	FKM			
1/8	ED10X1X	ED10X1VITX	6-002-N552-9	6-002-V894-9	8.00 × 2.00	8207-1/8	8207SS1/8
1/4	ED14X1.5X	ED14X1.5VITX	2-111-N552-9	2-111-V894-9	10.77 × 2.62	8207-1/4	8207SS1/4A
3/8	ED3/8X	ED3/8VITX	2-113-N552-9	2-113-V894-9	13.94 × 2.62	8207-3/8	8207SS3/8A
1/2	ED1/2X	ED1/2VITX	5-256-N552-9	5-256-V894-9	17.96 × 2.62	8207-1/2	8207SS1/2
3/4	ED26X1.5X	ED26X1.5VITX	2-119-N552-9	2-119-V894-9	23.47 × 2.62	8207-3/4	8207SS3/4
1	ED33X2X	ED33X2VITX	2-217-N552-9	2-217-V894-9	29.74 × 3.53	8207-1	8207SS1A
1 1/4	ED42X2X	ED42X2VITX	2-222-N552-9	2-222-V894-9	37.69 × 3.53	8207-1-1/4	8207SS1 1/4
1 1/2	ED48X2X	ED48X2VITX	2-224-N552-9	2-224-V894-9	44.04 × 3.53	8207-1-1/2	8207SS1 1/2

Typical fittings using these parts: F42EDMLO/C4OMLO/V4OMLO etc.

\*Must be used with correct retainer ring.

## Metric male threads – ISO 9974

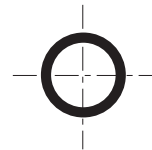
Thread metric	ED seal order code		O-ring order code*		O-ring ID × section mm	Retainer ring Order code Steel	Retainer ring Order code Stainless Steel
	NBR	FKM	NBR	FKM			
M 10×1.0	ED10X1/R1/8	ED10X1R1/8VIT	6-074-N552-9	6-074-V894-9	8.00 × 1.50	M10RR	RRM10X1SS
M 12×1.5	ED12X1.5	ED14X1.5/VIT	2-012-N552-9	2-012-V894-9	9.25 × 1.78	M12RR	RRM12X1.5SS
M 14×1.5	ED14X1.5/R1/4	ED14X1.5/R1/4VIT	2-013-N552-9	2-013-V894-9	10.82 × 1.78	M14RR	RRM14X1.5SS
M 16×1.5	ED16X1.5	ED16X1.5/VIT	3-907-N552-9	3-907-V894-9	13.46 × 2.08	M16RR	RRM16X1.5SS
M 18×1.5	ED18X1.5	ED18X1.5/VIT	2-114-N552-9	2-114-V894-9	15.54 × 2.62	M18RR	RRM18X1.5SS
M 22×1.5	ED22X1.5	ED22X1.5VIT	2-018-N552-9	2-018-V894-9	18.77 × 1.78	M22RR	RRM22X1.5SS
M 27×2.0	ED26X1.5X**	ED26X1.5VITX	2-119-N552-9	2-119-V894-9	23.47 × 2.62	M27RR	RRM27X2SS
M 33×2.0	ED33X2R1	ED33X2R1VIT	2-122-N552-9	2-122-V894-9	28.24 × 2.62	M33RR	RRM33X2SS
M 42×2.0	ED42X2R1.1/4	ED42X2R1.1/4VIT	2-128-N552-9	2-128-V894-9	37.77 × 2.62	M42RR	RRM42X2SS
M 48×2.0	ED48X2R1.1/2	ED48X2R1.1/2VIT	2-132-N552-9	2-132-V894-9	44.12 × 2.62	M48RR	RRM48X2SS

Typical fittings using these parts: F82EDMLO/C8OMLO/V8OMLO etc.

\*Must be used with correct retainer ring.

\*\*Same seal used for M 26×1.5 and M 27×2.0

## Spare parts guide – O-Lok® retaining rings and seals



## UN / UNF male threads – ISO 11926

Dash size	Thread UN/UNF	O-ring order code		O-ring ID × section mm
		NBR	FKM	
2	5/16-24	<b>3-902-N552-9</b>	<b>3-902-V894-9</b>	6.07 × 1.63
3	3/8-24	<b>3-903-N552-9</b>	<b>3-903-V894-9</b>	7.65 × 1.63
4	7/16-20	<b>3-904-N552-9</b>	<b>3-904-V894-9</b>	8.92 × 1.83
5	1/2-20	<b>3-905-N552-9</b>	<b>3-905-V894-9</b>	10.52 × 1.83
6	9/16-18	<b>3-906-N552-9</b>	<b>3-906-V894-9</b>	11.89 × 1.98
8	3/4-16	<b>3-908-N552-9</b>	<b>3-908-V894-9</b>	16.36 × 2.21
10	7/8-14	<b>3-910-N552-9</b>	<b>3-910-V894-9</b>	19.18 × 2.46
12	1 1/16-12	<b>3-912-N552-9</b>	<b>3-912-V894-9</b>	23.47 × 2.95
14	1 3/16-12	<b>3-914-N552-9</b>	<b>3-914-V894-9</b>	26.59 × 2.95
16	1 5/16-12	<b>3-916-N552-9</b>	<b>3-916-V894-9</b>	29.74 × 2.95
20	1 5/8-12	<b>3-920-N552-9</b>	<b>3-920-V894-9</b>	37.47 × 3.00
24	1 7/8-12	<b>3-924-N552-9</b>	<b>3-924-V894-9</b>	43.69 × 3.00
32	2 1/2-12	<b>3-932-N552-9</b>	<b>3-932-V894-9</b>	59.36 × 3.00

Typical fittings using these parts: F5OMLO/C5OMLO/R5OMLO etc.

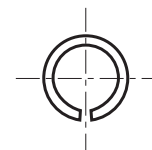
## Metric male threads – ISO 6149

Thread metric	O-ring order code		O-ring ID × section mm
	NBR	FKM	
M 10×1.0	<b>6-345-N552-9</b>	<b>6-345-V894-9</b>	8.20 × 1.50
M 12×1.5	<b>6-346-N552-9</b>	<b>6-346-V894-9</b>	9.40 × 2.10
M 14×1.5	<b>6-347-N552-9</b>	<b>6-347-V894-9</b>	11.40 × 2.10
M 16×1.5	<b>6-348-N552-9</b>	<b>6-348-V894-9</b>	13.40 × 2.10
M 18×1.5	<b>6-349-N552-9</b>	<b>6-349-V894-9</b>	15.40 × 2.10
M 22×1.5	<b>6-350-N552-9</b>	<b>6-350-V894-9</b>	19.40 × 2.10
M 27×2.0	<b>6-351-N552-9</b>	<b>6-351-V894-9</b>	23.70 × 2.80
M 33×2.0	<b>6-352-N552-9</b>	<b>6-352-V894-9</b>	29.70 × 2.80
M 42×2.0	<b>6-353-N552-9</b>	<b>6-353-V894-9</b>	38.70 × 2.80
M 48×2.0	<b>6-354-N552-9</b>	<b>6-354-V894-9</b>	46.70 × 2.80

Typical fittings using these parts: F87OMLO/S87OMLO etc.

Other seal compounds available on request for alternative applications.

## SBR Braze ring



### For metric tubing

Tube O.D. mm	Order code
6	<b>SBR 6</b>
8	<b>SBR 8</b>
10	<b>SBR 10</b>
12	<b>SBR 12</b>
14	<b>SBR 14</b>
15	<b>SBR 15</b>
16	<b>SBR 16</b>
18	<b>SBR 18</b>
20	<b>SBR 20</b>
22	<b>SBR 22</b>
25	<b>SBR 25</b>
28	<b>SBR 28</b>
30	<b>SBR 30</b>
32	<b>SBR 32</b>
35	<b>SBR 35</b>
38	<b>SBR 38</b>
50	<b>SBR 50</b>

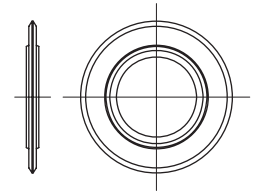
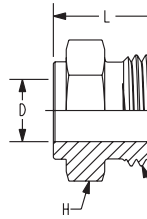
### For inch tubing

Tube O.D. in.	Order code
1/4	<b>4SBR</b>
3/8	<b>6SBR</b>
1/2	<b>8SBR</b>
5/8	<b>10SBR</b>
3/4	<b>12SBR</b>
1	<b>16SBR</b>
1 1/4	<b>20SBR</b>
1 1/2	<b>24SBR</b>
2	<b>32SBR</b>

Part numbers shown are part of our current manufacturing programme.

**J**

## Flange-Seal components



Flange-Seal fitting  
LHP

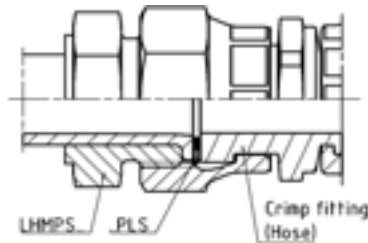
Tube O.D. mm	Thread T UN/UNF-2A	H mm	L mm	Weight (steel) g/1 piece	Order code
1/4	9/16-18	16	15.0	15	<b>4 LHP-S</b>
3/8	11/16-16	19	17.5	22	<b>6 LHP-S</b>
1/2	13/16-16	22	20.0	33	<b>8 LHP-S</b>
5/8	1-14	27	24.0	59	<b>10 LHP-S</b>
3/4	1 3/16-12	32	25.5	85	<b>12 LHP-S</b>

Bonded Seal element  
PLS

Fitting dash size	Tube O.D. mm	Tube O.D. inch	I.D. mm	W mm	Weight (steel) g/1 piece	Seal Order code
4	6	1/4	6	2	1	<b>4 PL-S N0702</b>
6	8, 10	3/8	9	2	1	<b>6 PL-S N0702</b>
8	12	1/2	12	2	1	<b>8 PL-S N0702</b>
10	16	5/8	16	2	2	<b>10 PL-S N0702</b>
12	20	3/4	20	2	2	<b>12 PL-S N0702</b>

Tube O.D. mm	Thread T UN/UNF-2A	H mm	L mm	Weight (steel) g/1 piece	Order code
6	9/16-18	17	15.0	15	<b>LHMPS6</b>
8	11/16-16	17	17.5	25	<b>LHMPS8</b>
10	11/16-16	19	17.5	22	<b>LHMPS10</b>
12	13/16-16	22	20.0	33	<b>LHMPS12</b>
16	1-14	27	24.0	59	<b>LHMPS16</b>
20	1 3/16-12	32	25.5	85	<b>LHMPS20</b>

## Pressure ratings and tube limitations

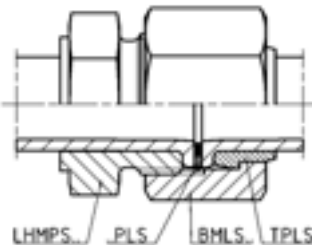


Tube to hose

Order code	Dash size	Tube O.D. mm	max. wall thickness tube to hose	PN
<b>LHMPS6</b>	4	6	1.5	420
<b>LHMPS8</b>	6	8	2.0	420
<b>LHMPS10</b>	6	10	2.0	420
<b>LHMPS12</b>	8	12	2.5	420
<b>LHMPS16</b>	10	16	3.0	420
<b>LHMPS20</b>	12	20	3.5	420

Tube to hose

Order code	Dash size	Tube O.D. inch	max. wall thickness tube to hose	PN
<b>4 LHP-S</b>	4	1/4	0.065	420
<b>6 LHP-S</b>	6	3/8	0.095	420
<b>9 LHP-S</b>	8	1/2	0.095	420
<b>10 LHP-S</b>	10	5/8	0.120	420
<b>12 LHP-S</b>	12	3/4	0.134	420



Tube to tube

Order code	Dash size	Tube O.D. mm	max. wall thckn. Tube to tube	Example PN for St 37 NBK*
<b>LHMPS6</b>	4	6	1.0	370
<b>LHMPS8</b>	6	8	1.5	410
<b>LHMPS10</b>	6	10	1.5	360
<b>LHMPS12</b>	8	12	2.0	390
<b>LHMPS16</b>	10	16	2.0	300
<b>LHMPS20</b>	12	20	2.5	300

Tube to tube

Order code	Dash size	Tube O.D. inch	max. wall thckn. Tube to tube	Example PN for St 37 NBK*
<b>4 LHP-S</b>	4	1/4	0.049	400
<b>6 LHP-S</b>	6	3/8	0.065	345
<b>8 LHP-S</b>	8	1/2	0.095	385
<b>10 LHP-S</b>	10	5/8	0.120	385
<b>12 LHP-S</b>	12	3/4	0.120	320

\*For higher strenght tube, connection PN may be increased to maximum shown in Tube to hose table 420 bar.

\*For higher strenght tube, connection PN may be increased to maximum shown in Tube to hose table 420 bar.